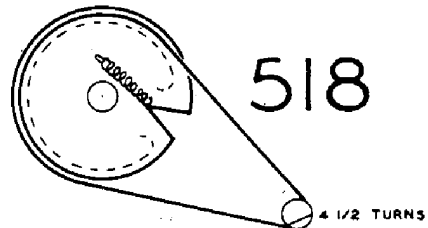
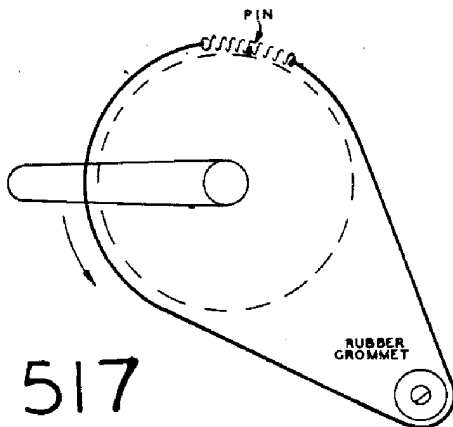
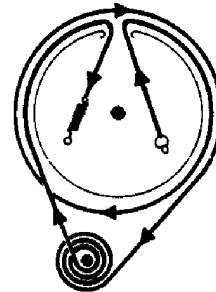
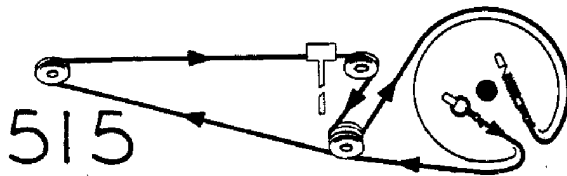
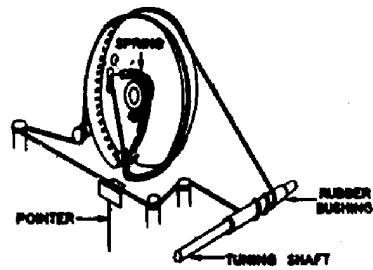
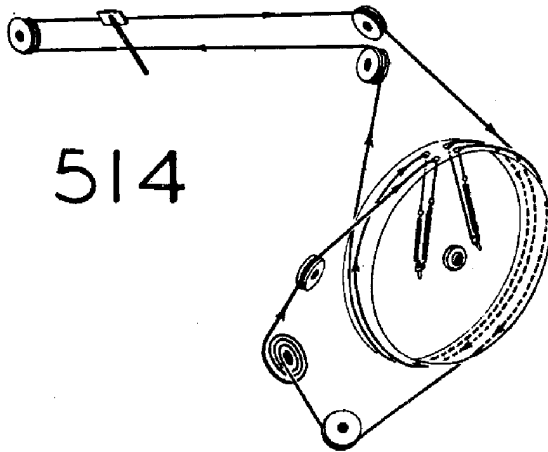
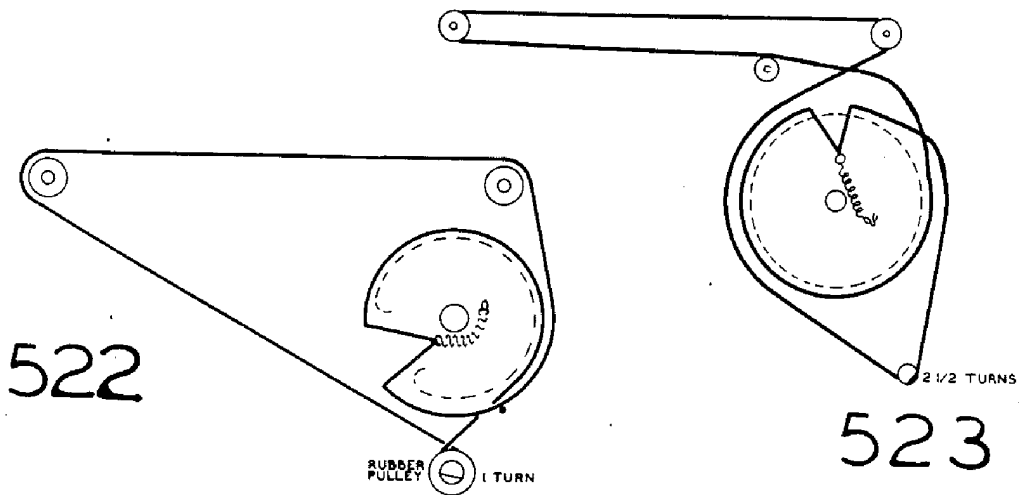
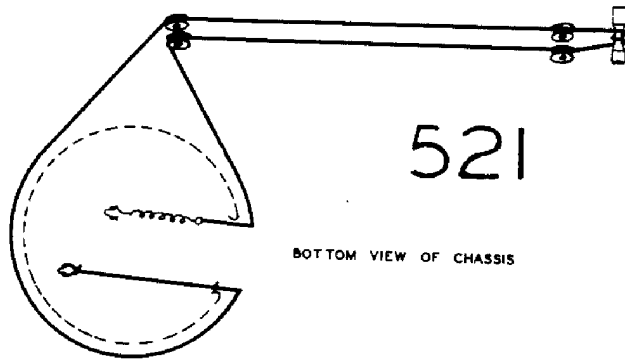
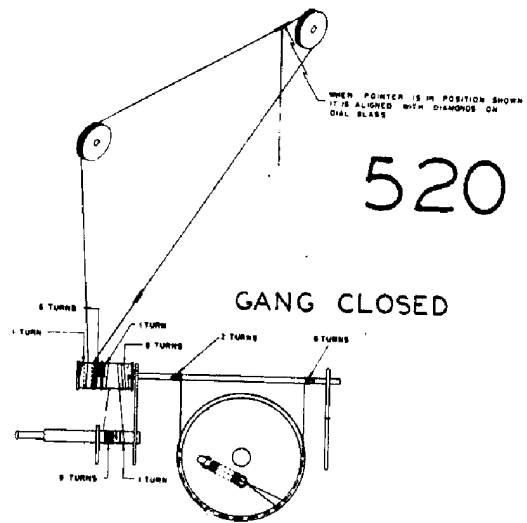
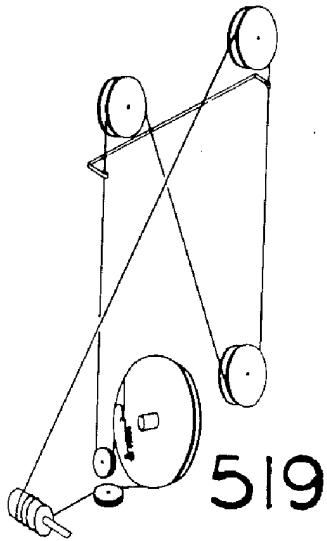
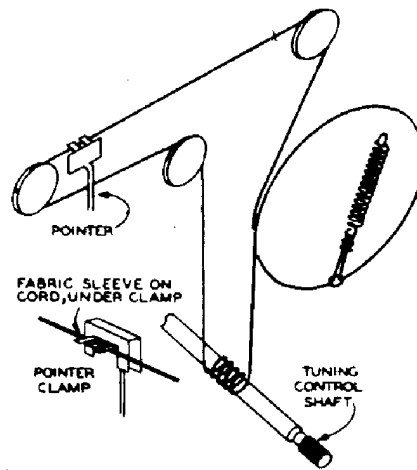
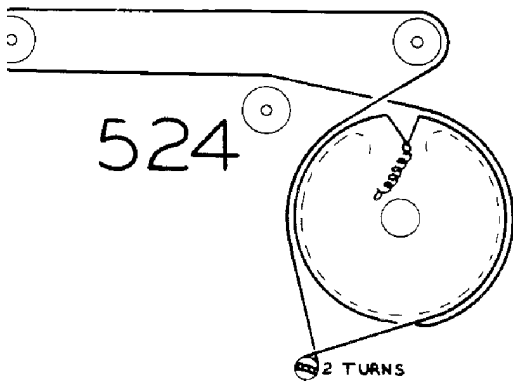


513

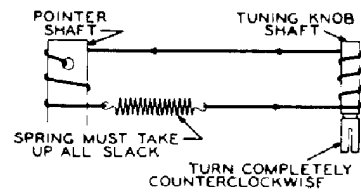
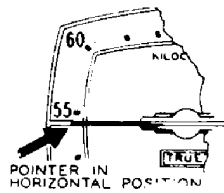
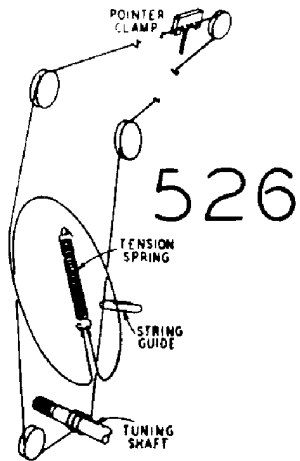
DRUM SHOWN WITH SLUGS IN FULL OUT POSITION



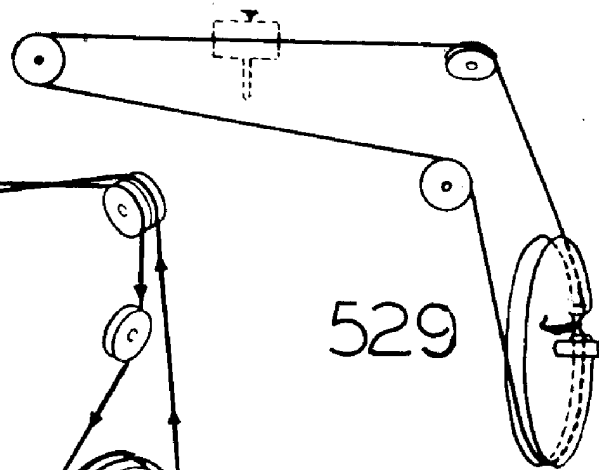
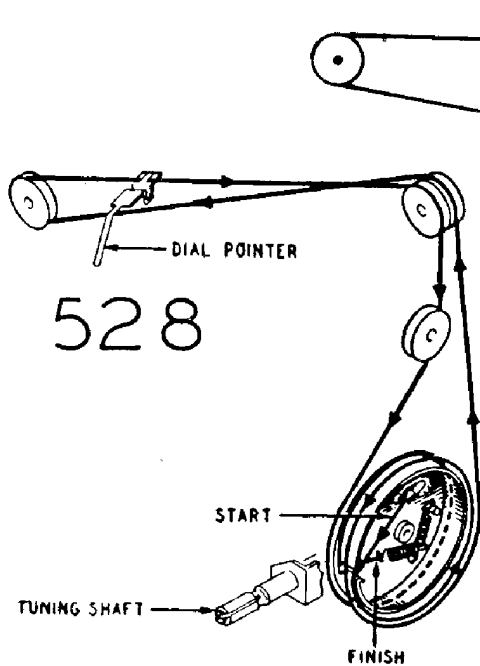


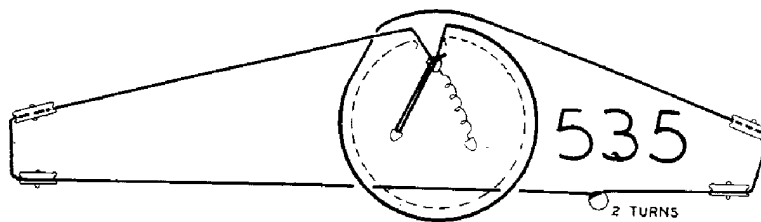
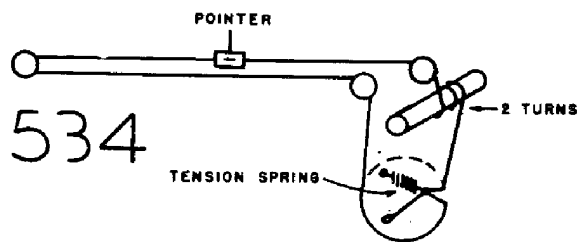
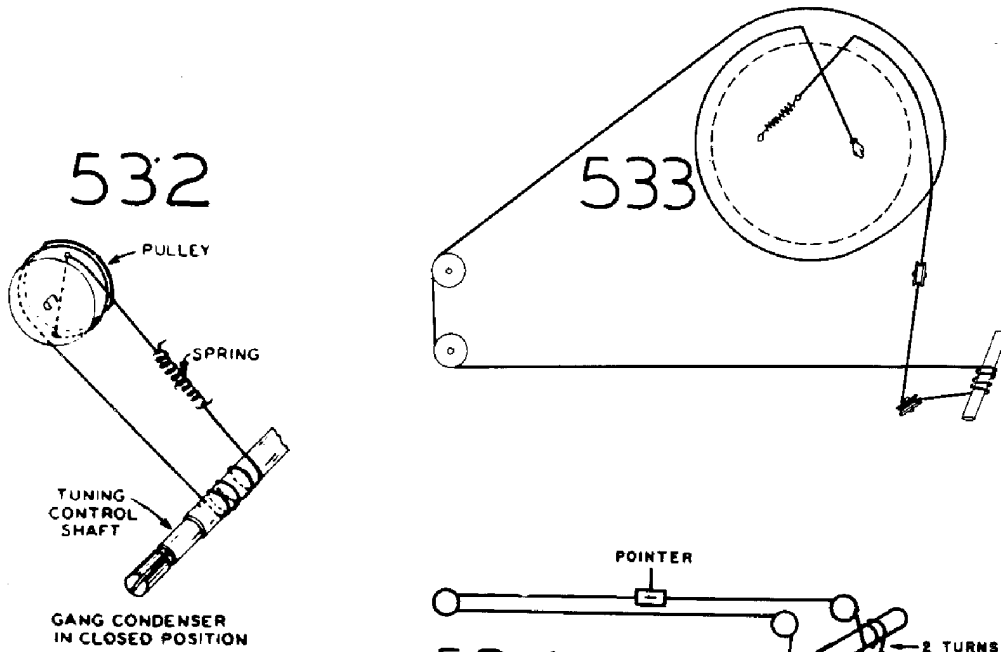
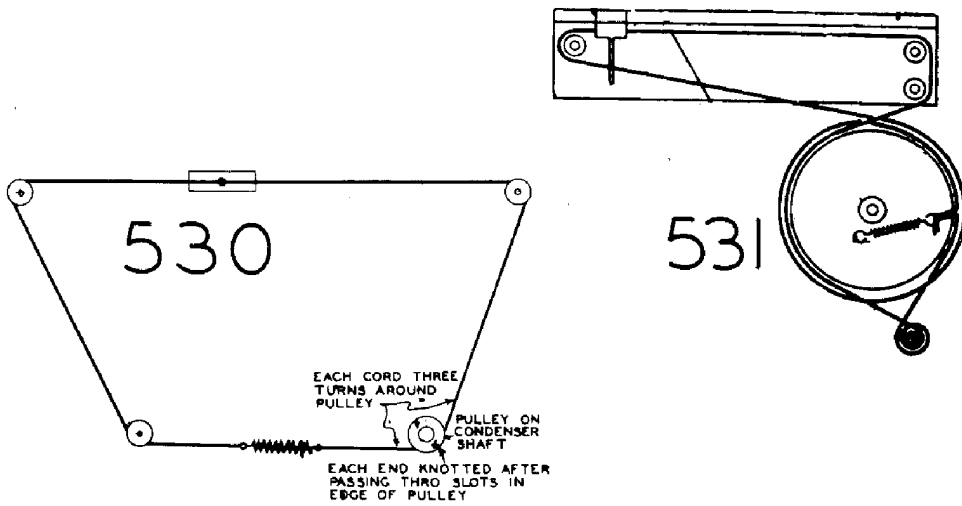


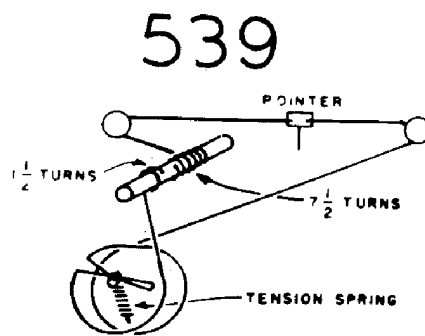
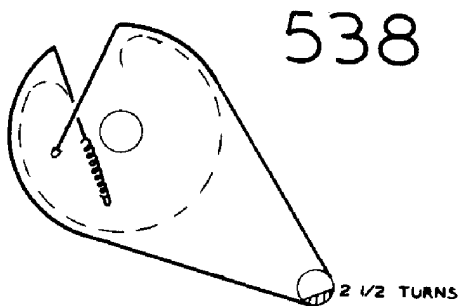
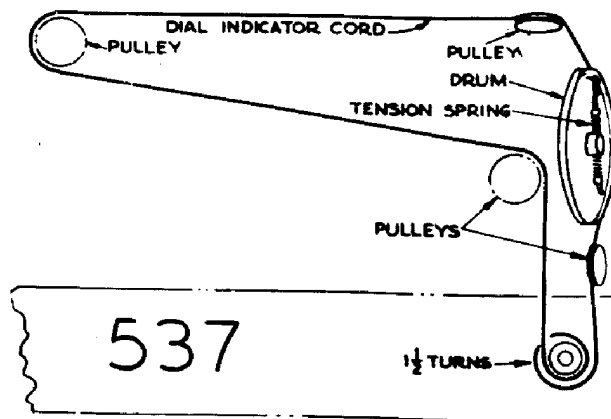
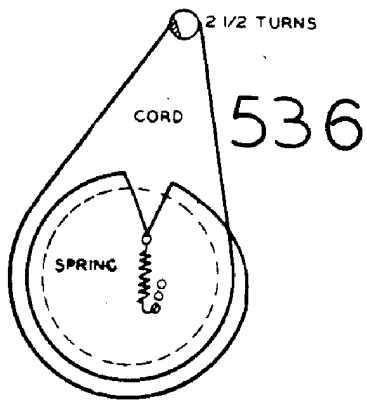
525



527

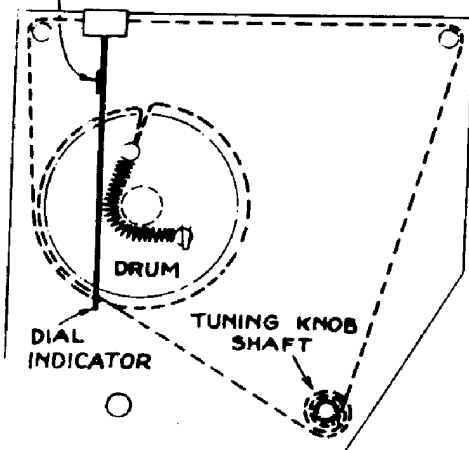






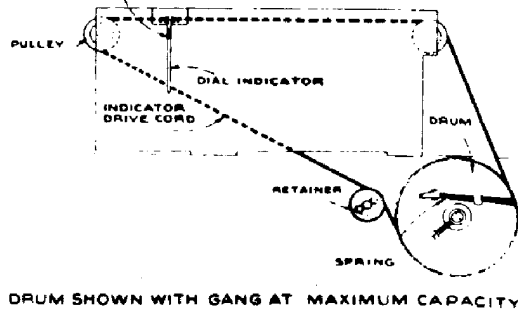
540

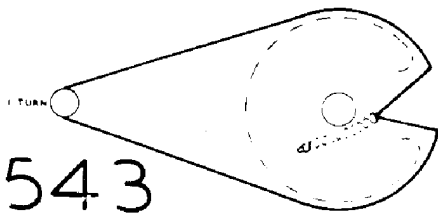
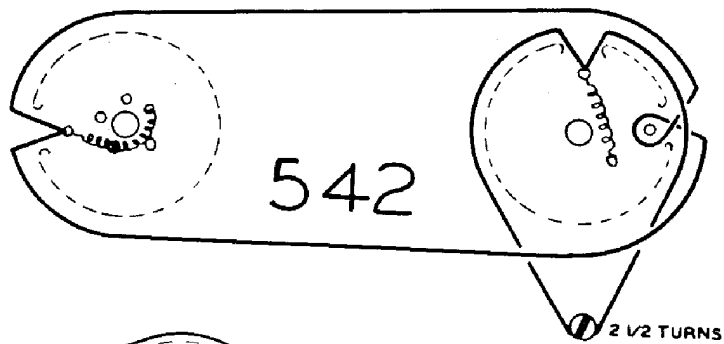
WITH CONDENSERS FULLY MESHED, AND DRUM IN POSITION SHOWN, INDICATOR SHOULD COINCIDE WITH THIS LINE.



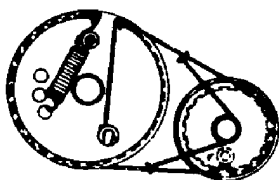
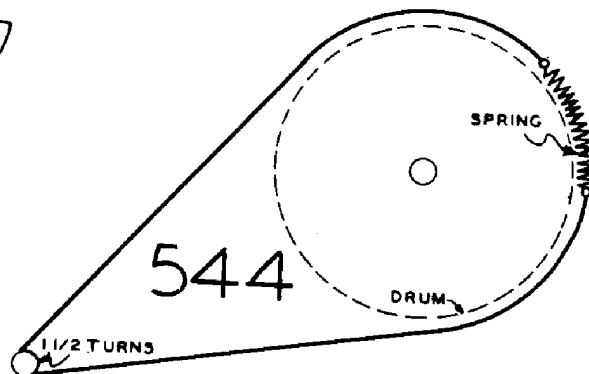
541

WITH GANG AT MAXIMUM AND DRUM IN POSITION SHOWN, MOVE INDICATOR TO COINCIDE WITH THIS LINE.

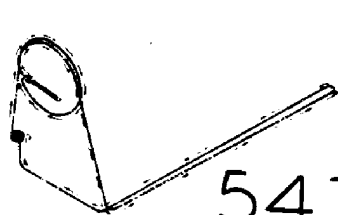
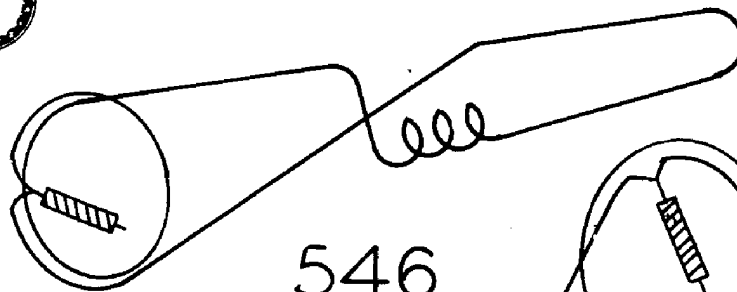




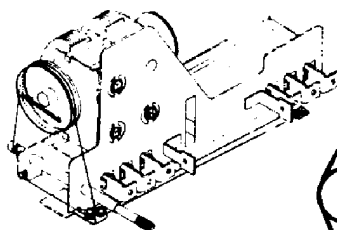
GANG MESHED DIAL
AT 540 K.C.



545



547



548

