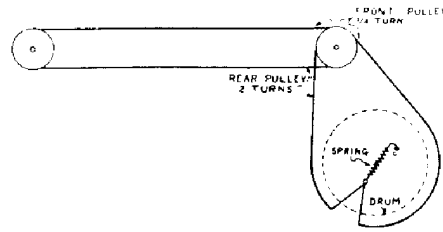
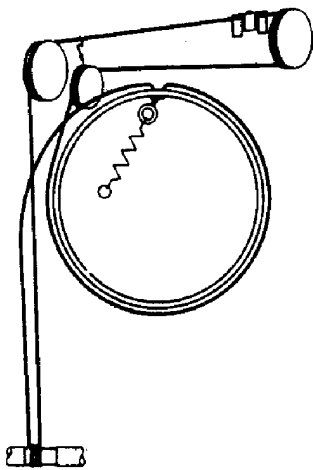


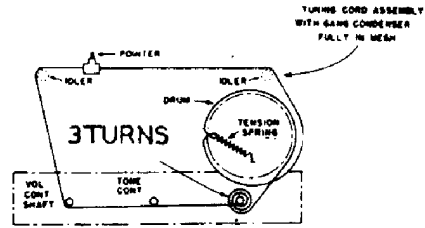
NOTE: Dial cord material is bronze wire - .063 diameter.



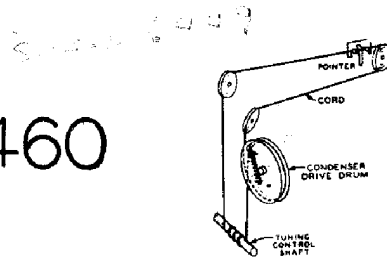
458



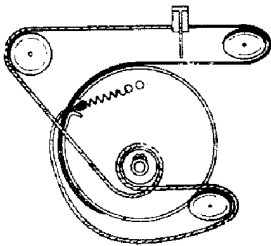
459



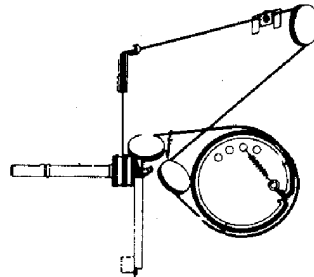
460

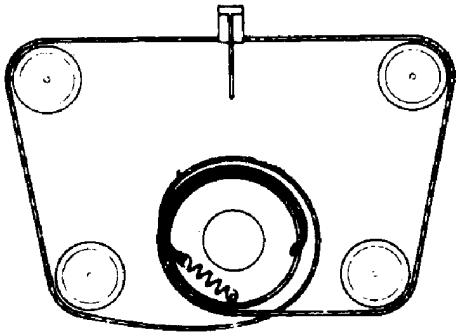


461

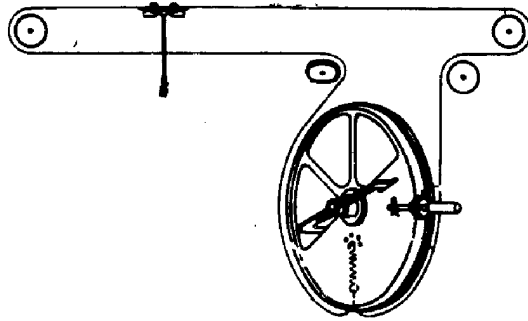


462

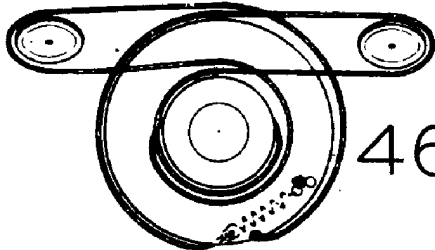




POINTER DRIVE HOOKUP

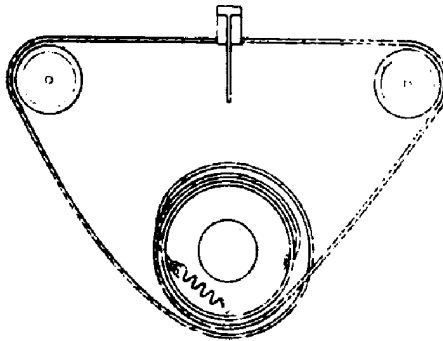


464



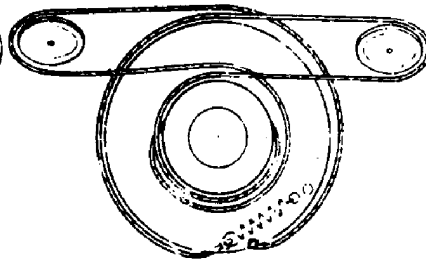
463

CONDENSER DRIVE HOOKUP

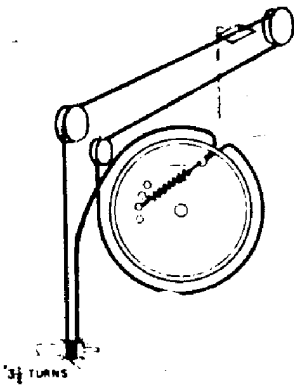


POINTER DRIVE HOOKUP

465

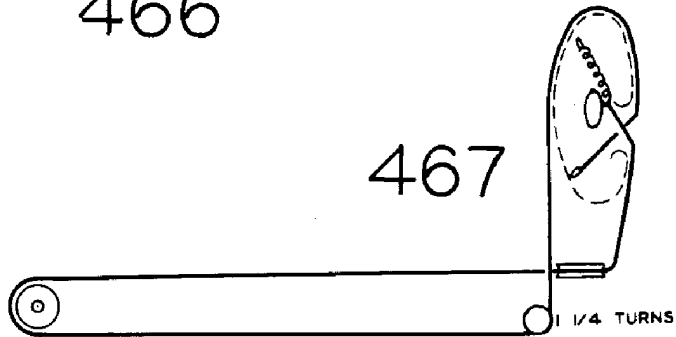


CONDENSER DRIVE HOOKUP



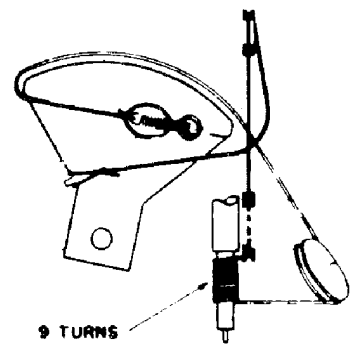
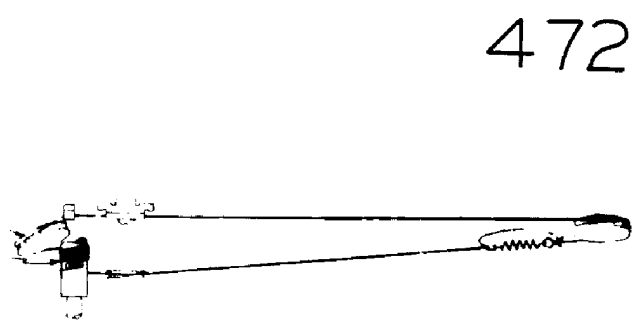
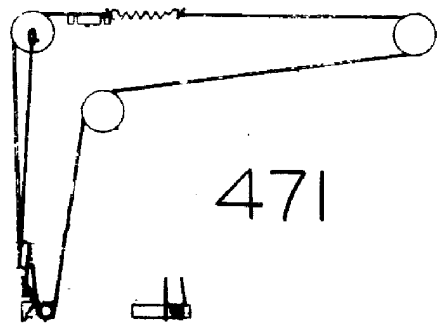
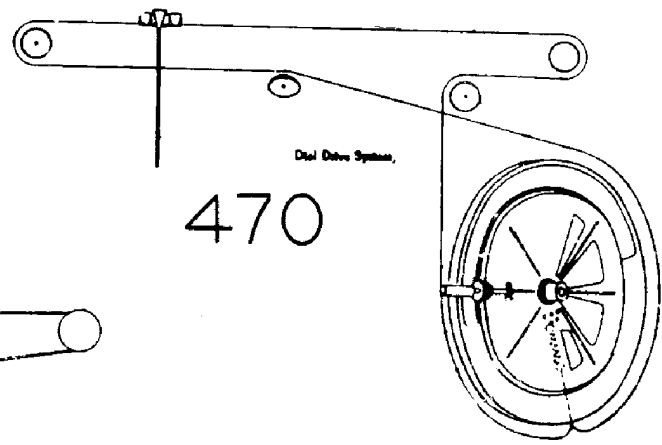
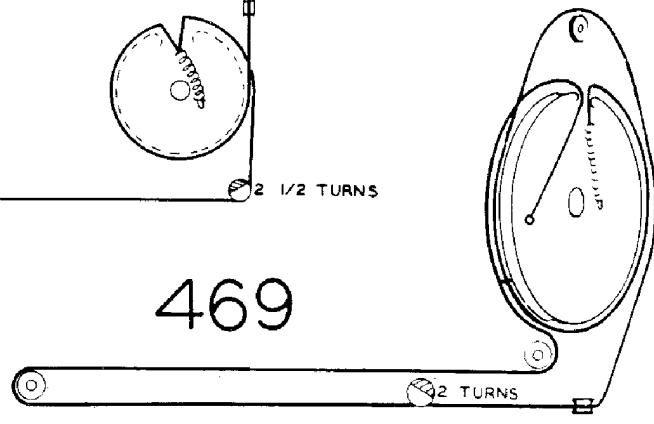
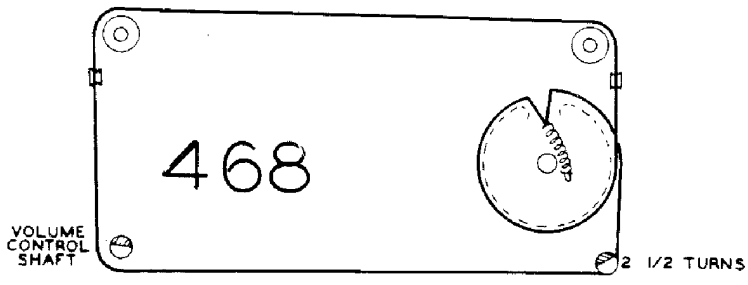
3/4 TURNS

466

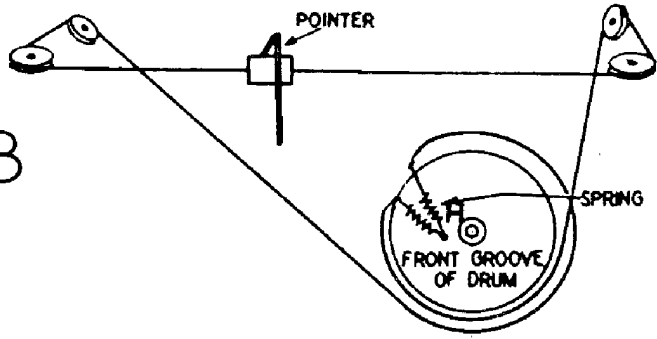


467

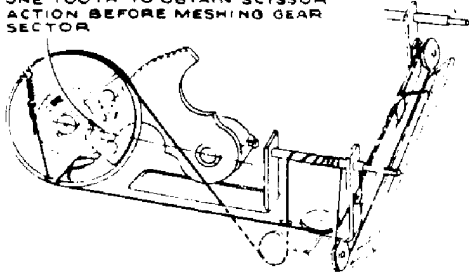
1/4 TURNS



473

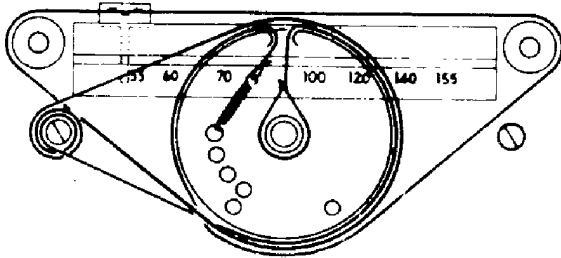
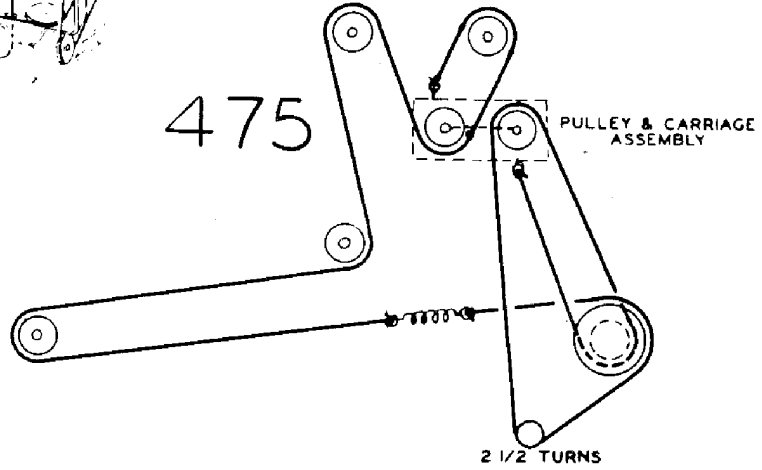


TURN FREE GEAR CLOCKWISE ONE TOOTH TO OBTAIN SCISSOR ACTION BEFORE MESHING GEAR SECTOR



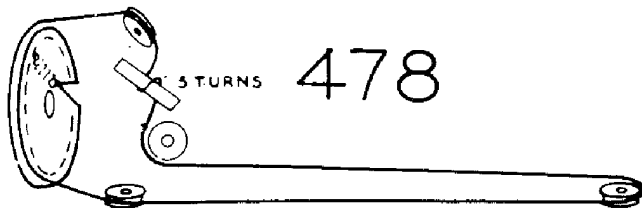
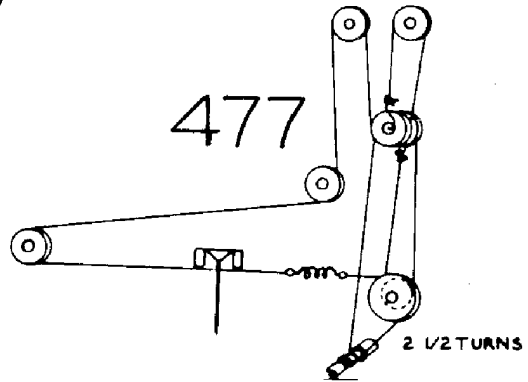
474

475

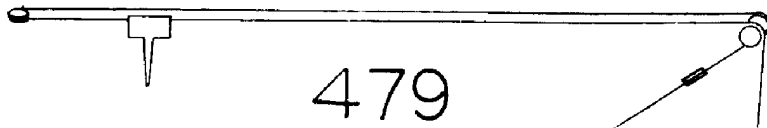


476

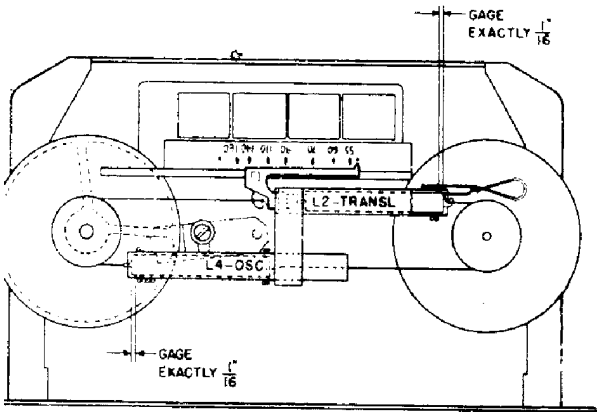
477



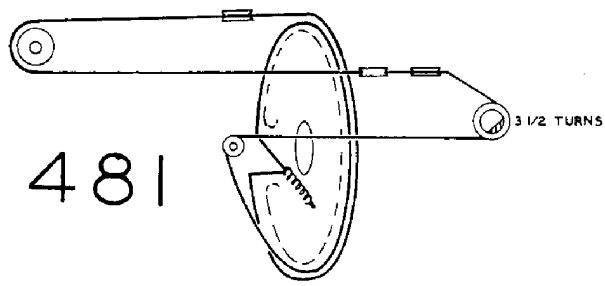
478



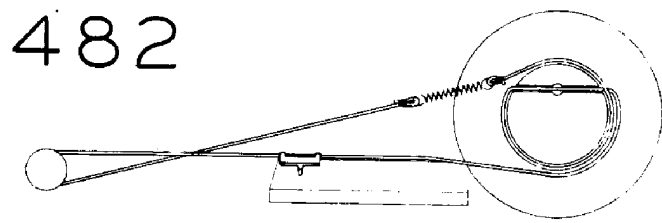
479



480

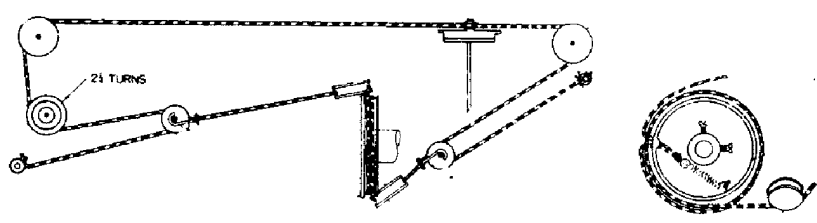


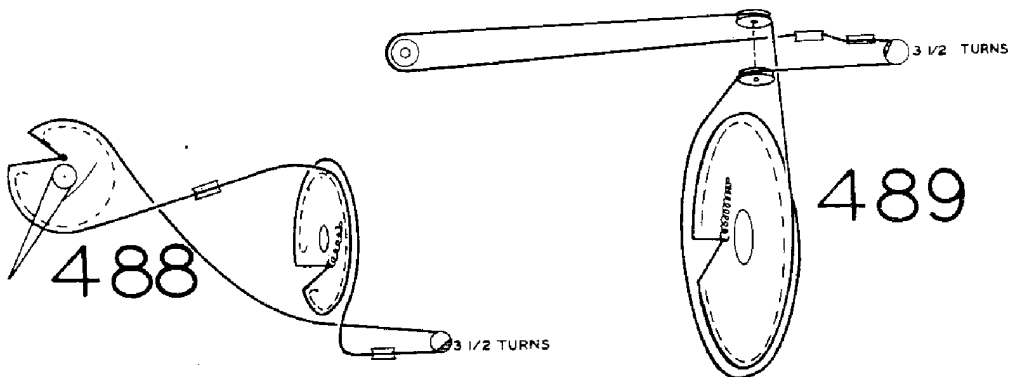
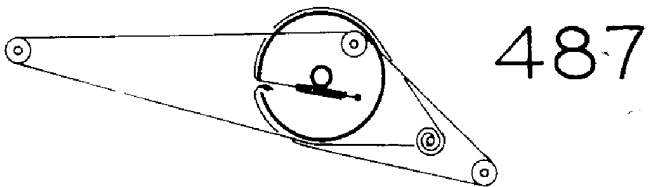
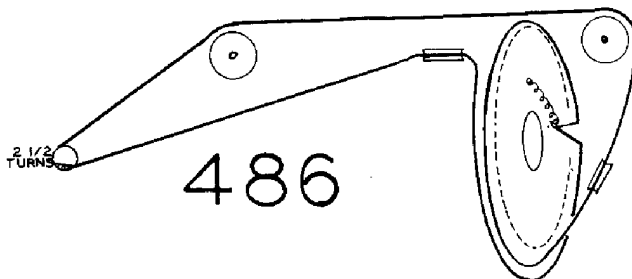
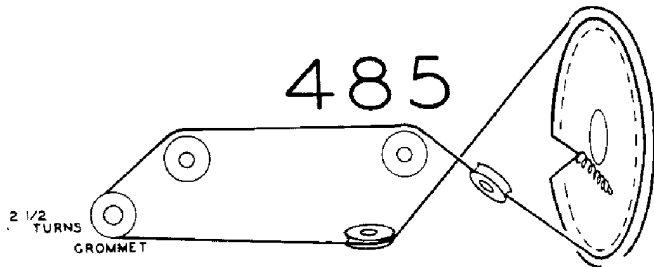
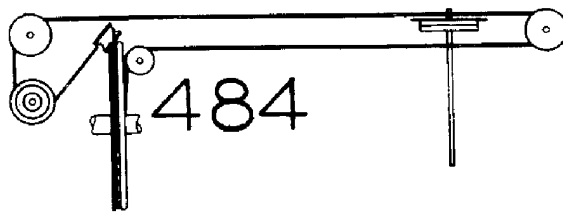
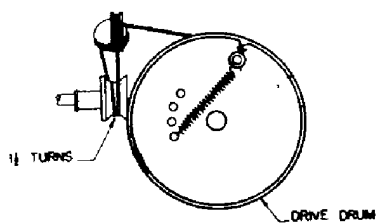
481

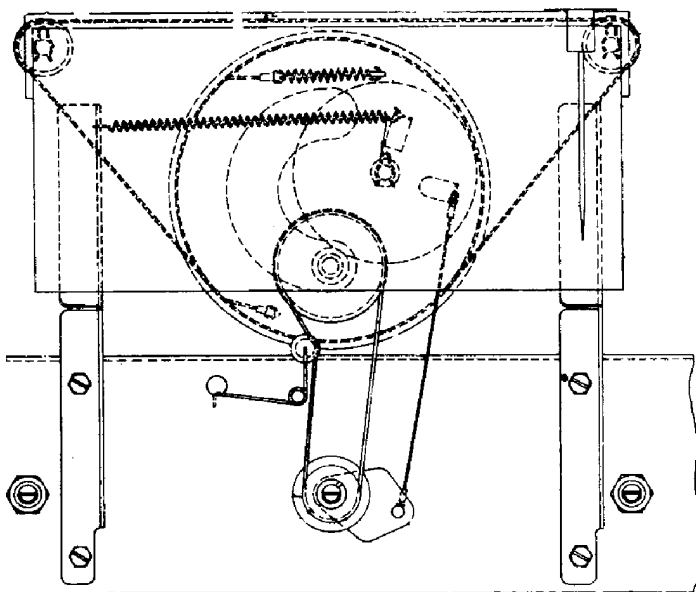
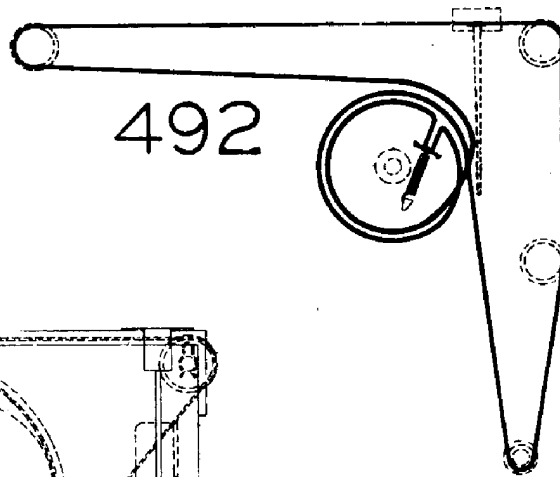
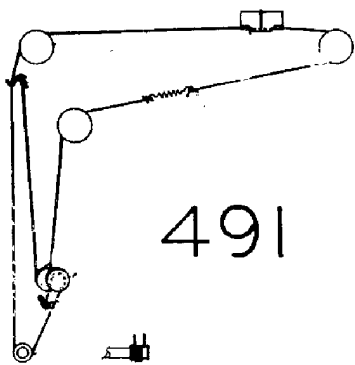
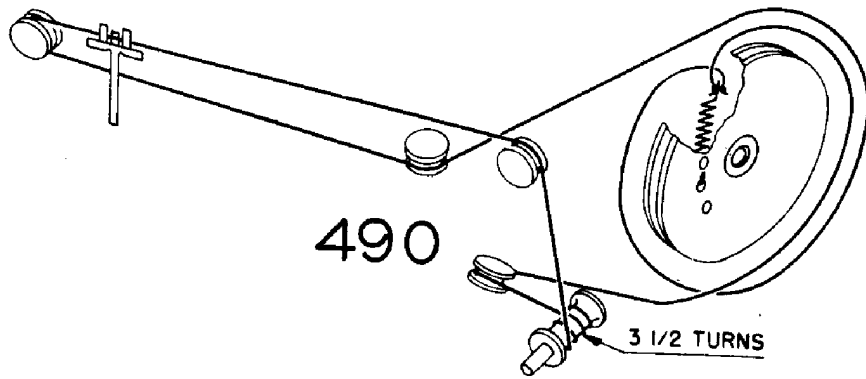


482

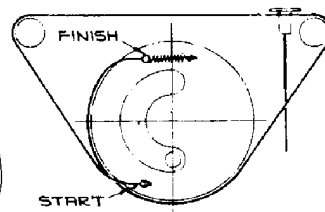
483



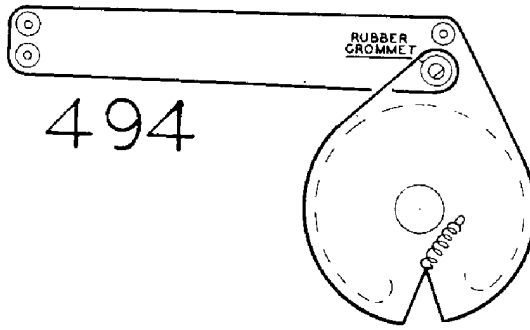




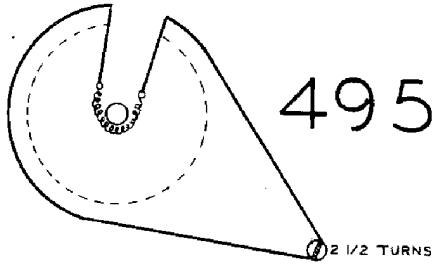
493





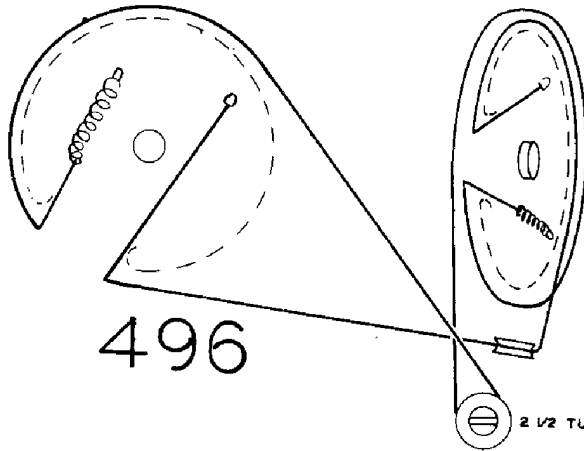


494



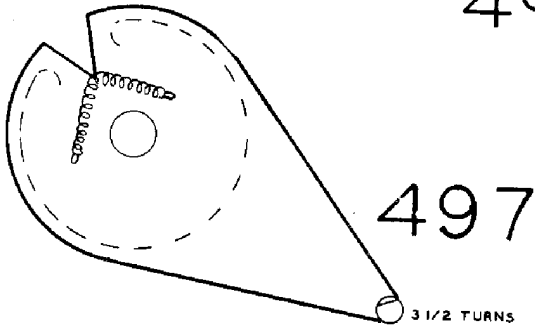
495

2 1/2 TURNS



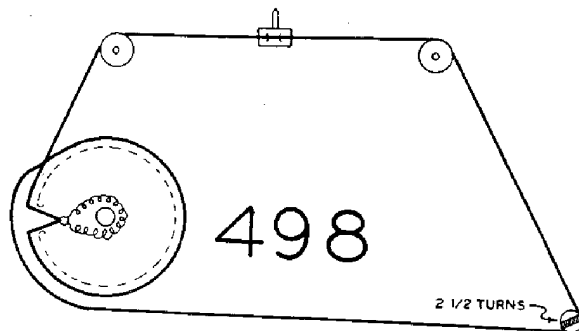
496

2 1/2 TURNS



497

3 1/2 TURNS



498

2 1/2 TURNS