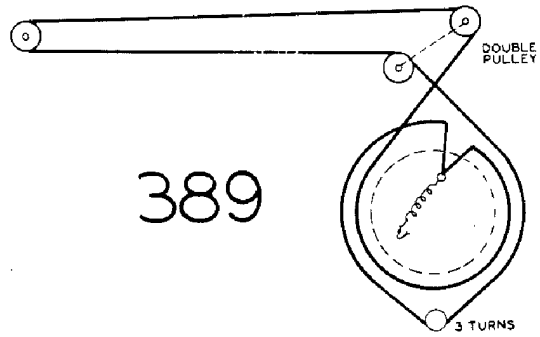
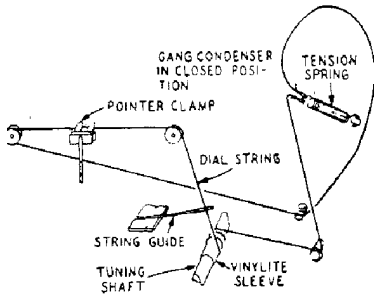
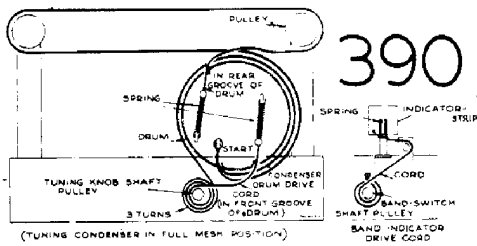


388

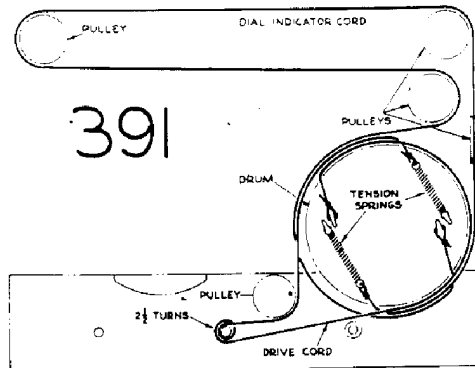


389

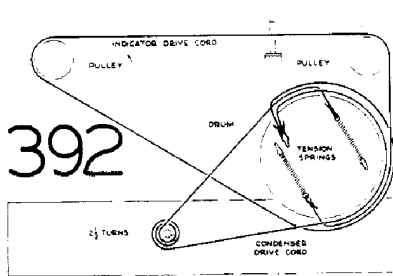


390

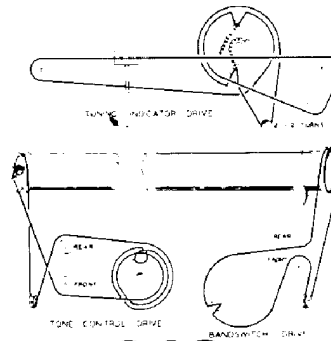
(TUNING CONDENSER IN FULL MESH POSITION)



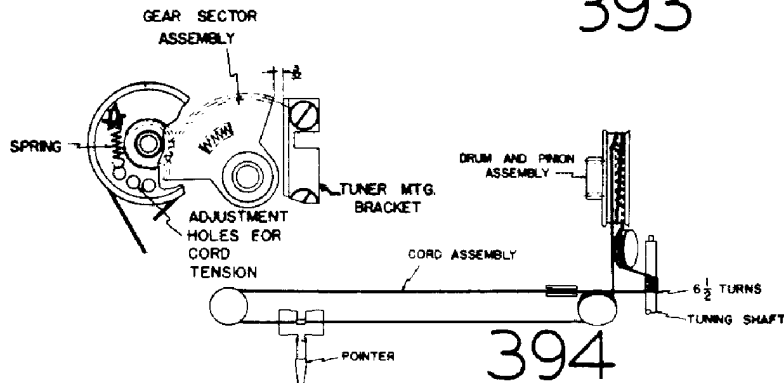
391



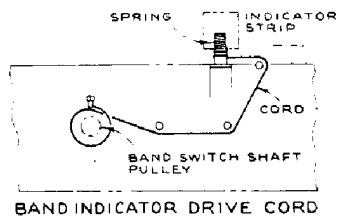
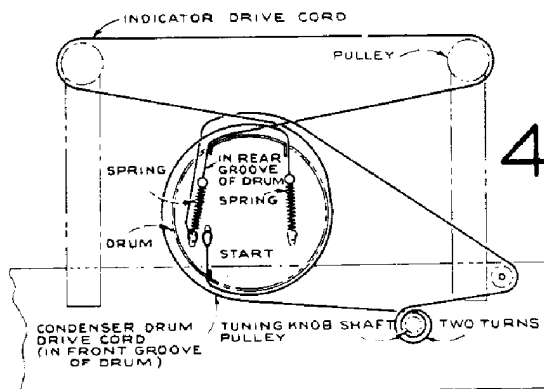
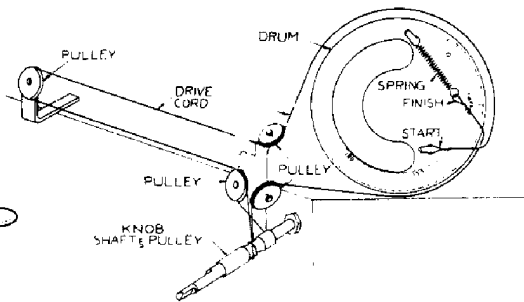
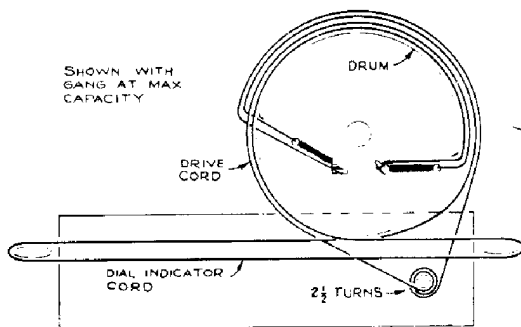
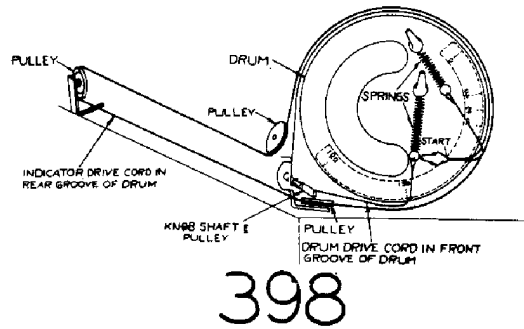
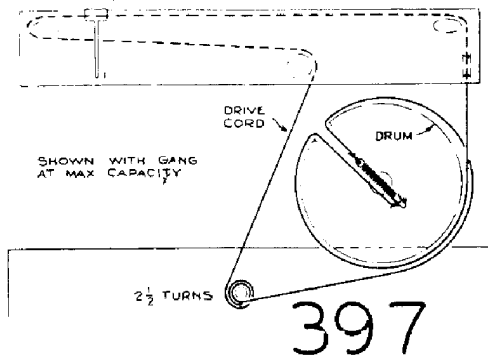
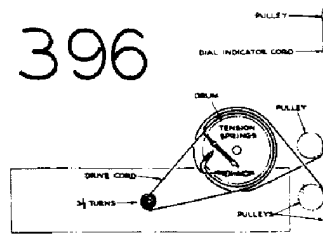
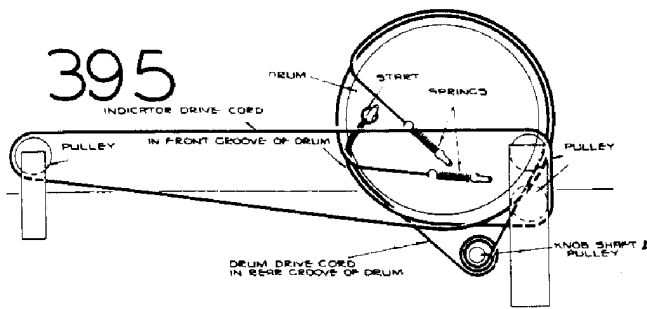
392



393



394



TUNING CONDENSER IN FULL MESH POSITION

BAND INDICATOR DRIVE CORD