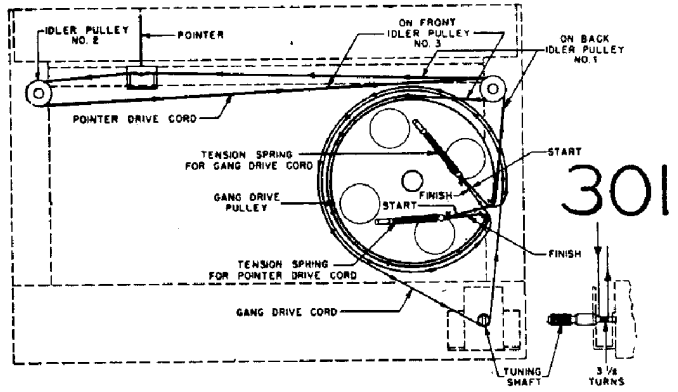
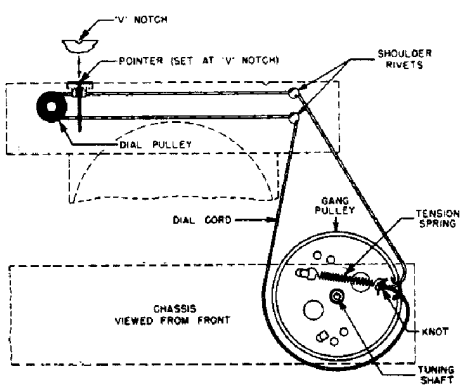


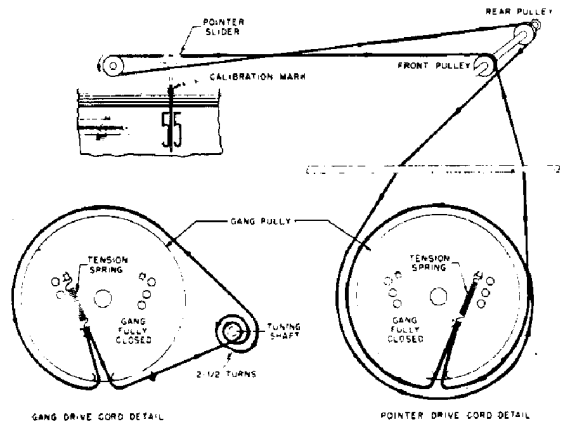
300

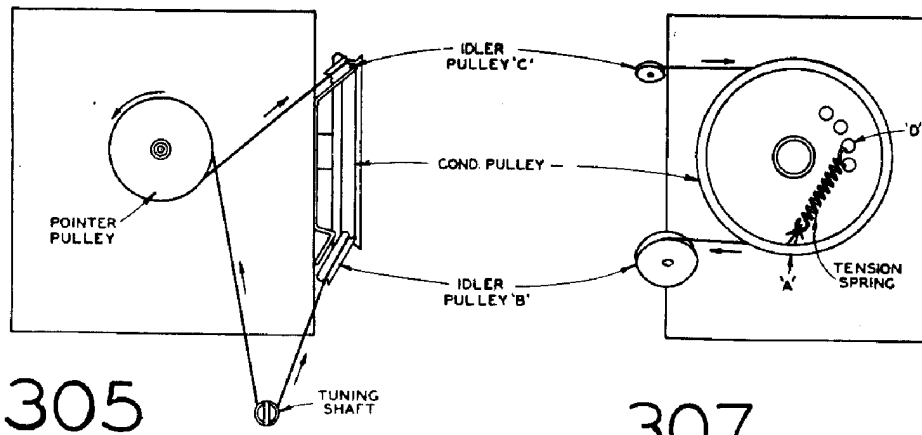
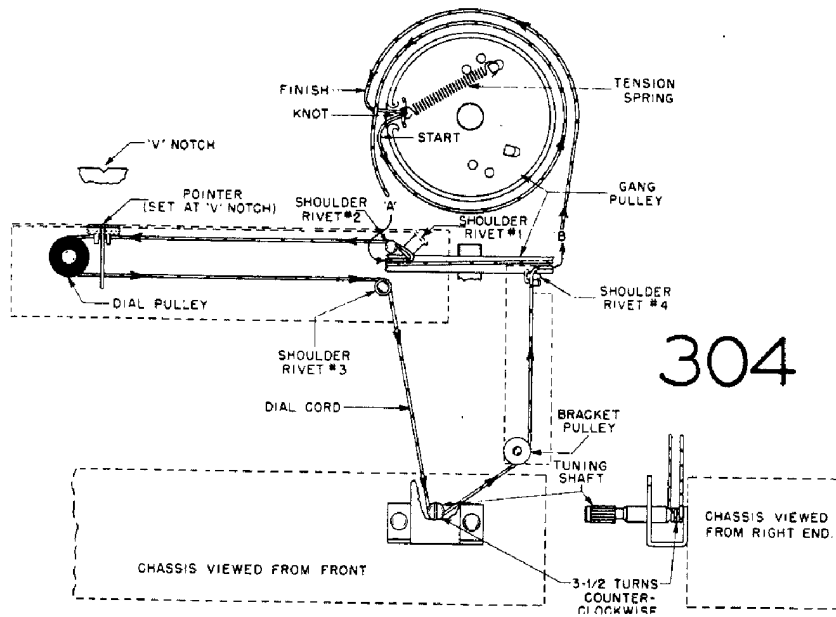


302

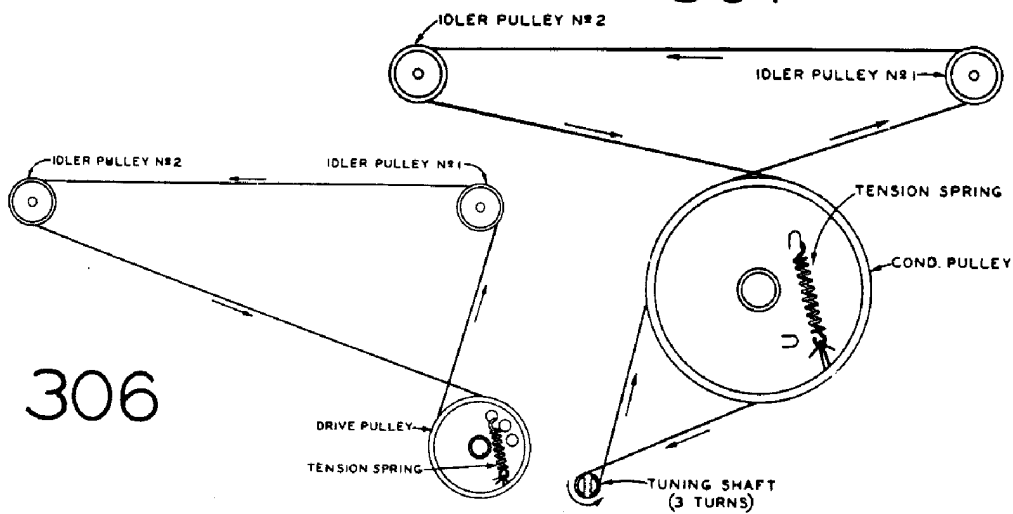


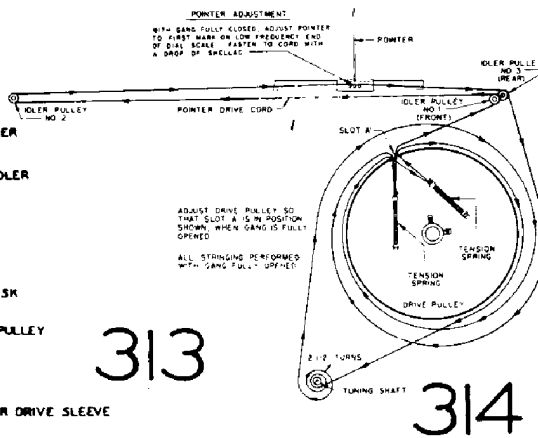
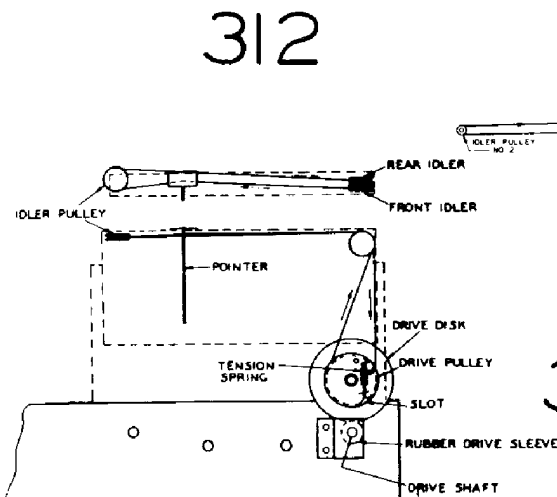
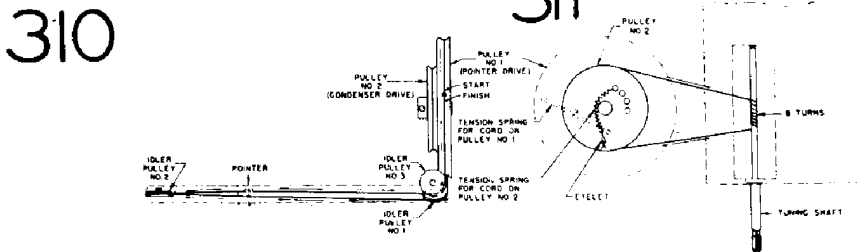
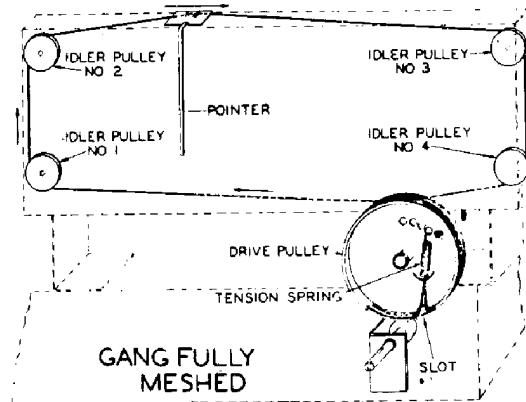
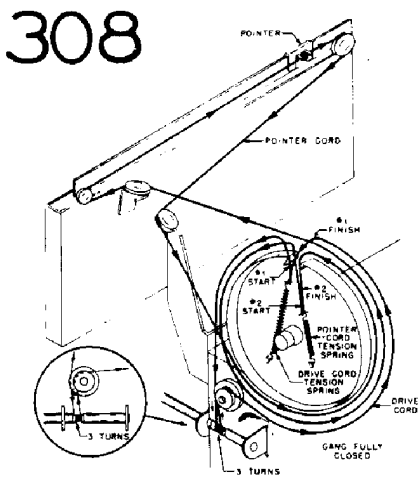
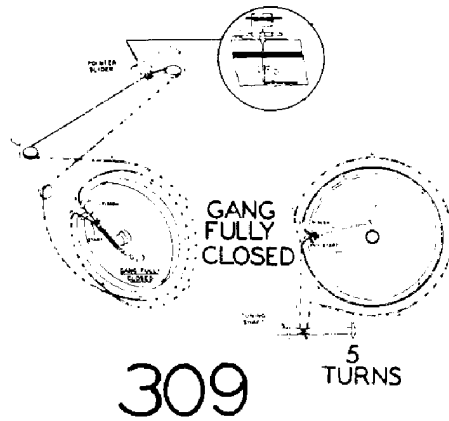
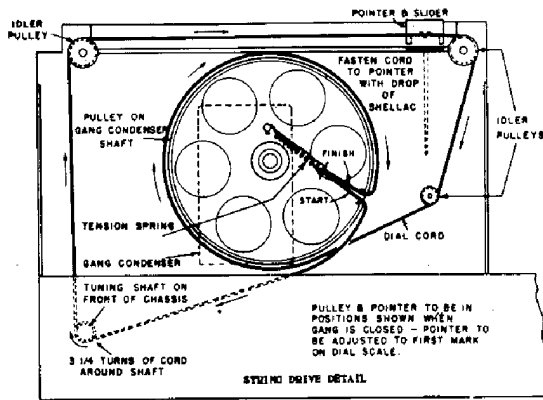
303





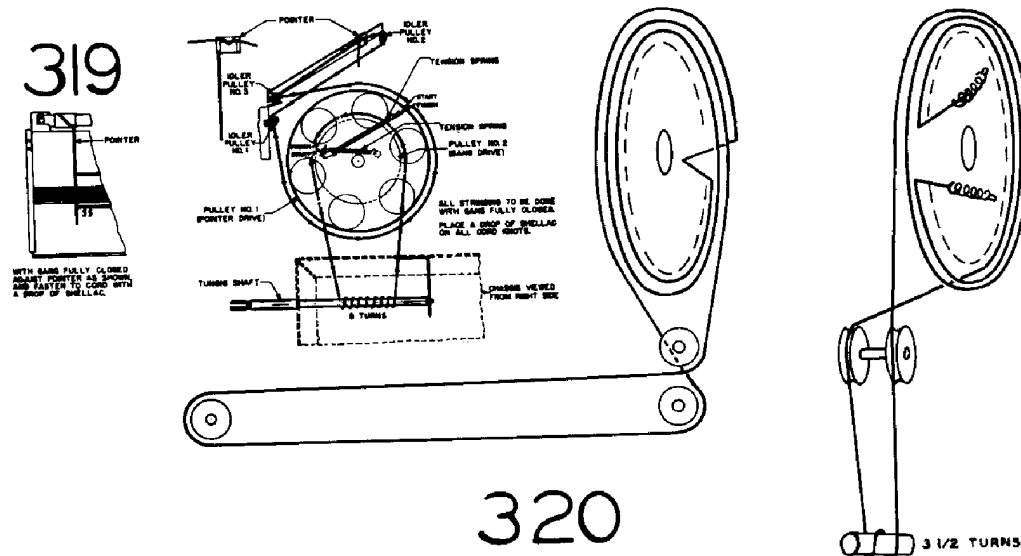
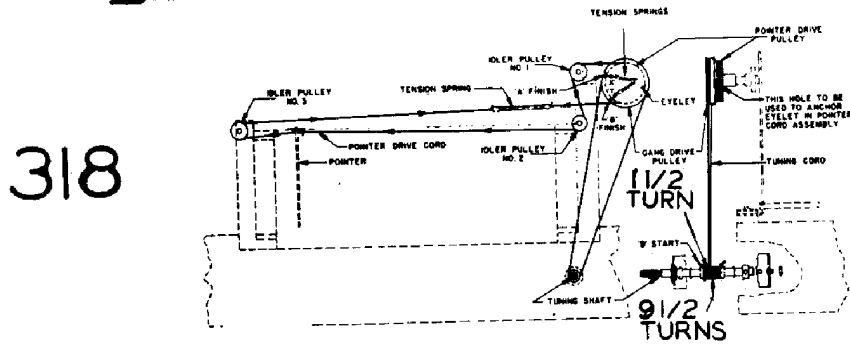
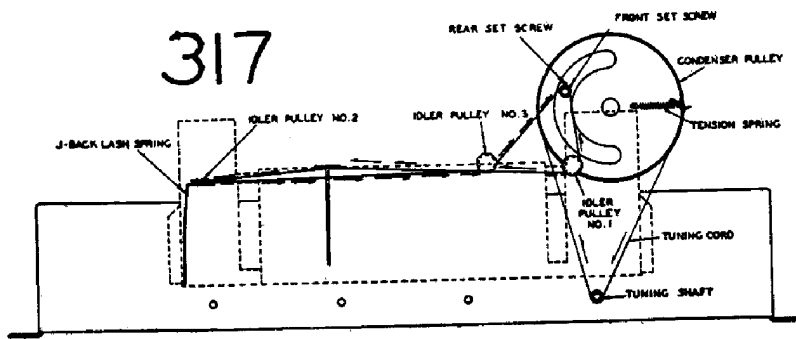
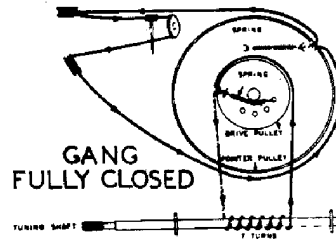
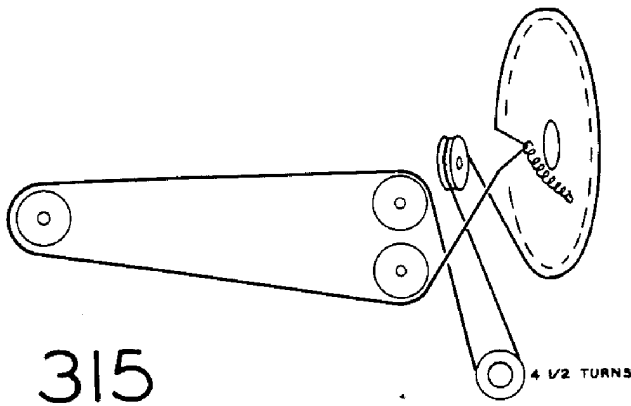
307



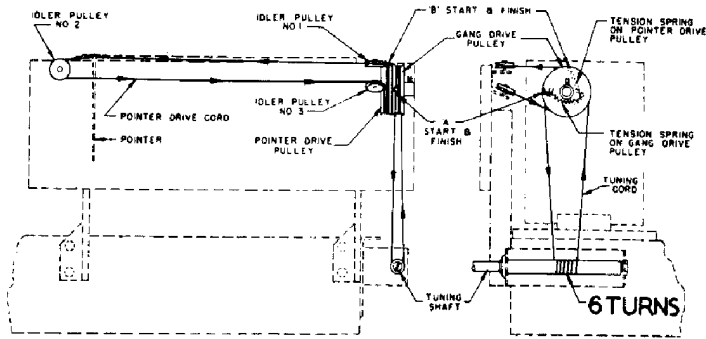


**POINTER ADJUSTMENT**  
 WITH GANG FULLY CLOSED, ADJUST POINTER TO FIRST MARK ON LOW FREQUENCY END OF DIAL SCALE. FASTEN TO CORD WITH A DROP OF BHELLAC.

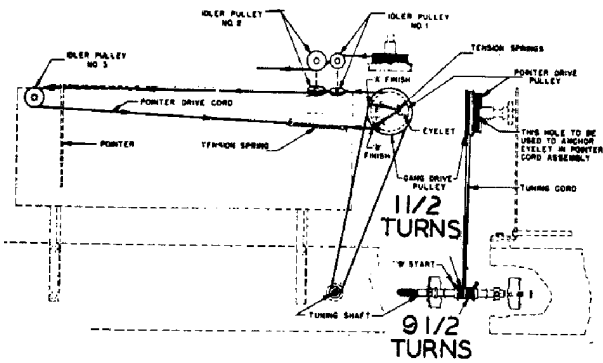
ADJUST DRIVE PULLEY SO THAT SLOT A IS IN POSITION SHOWN, WHEN GANG IS FULLY OPENED.  
 ALL STRINGING PERFORMED WITH GANG FULLY OPENED.



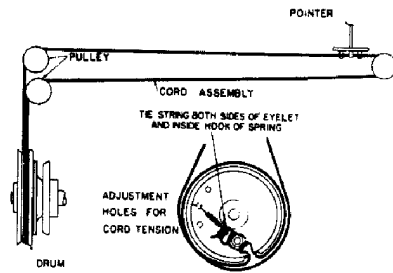
321



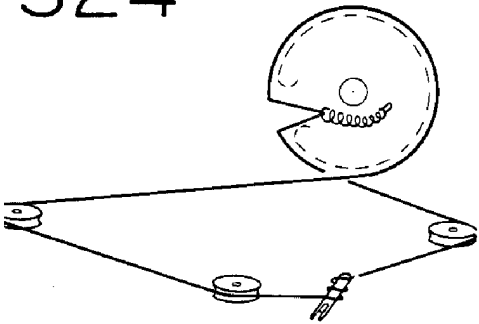
322



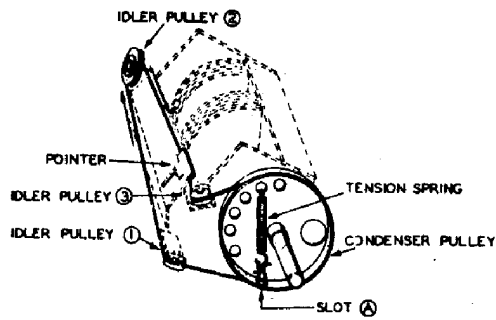
323



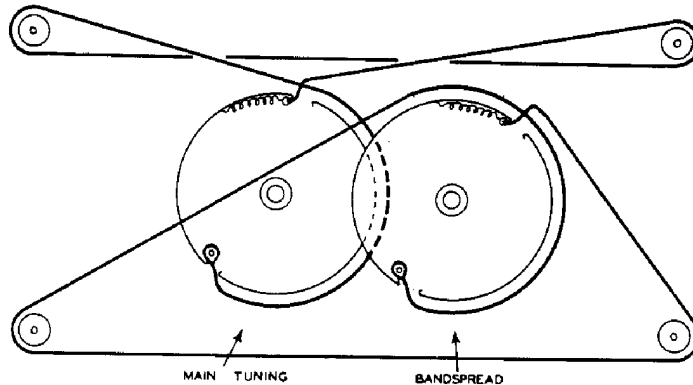
324

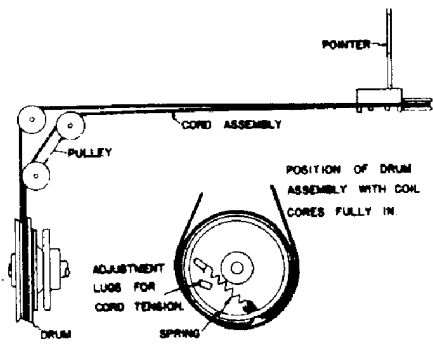


325

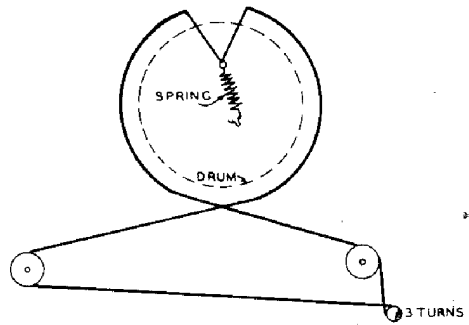


326

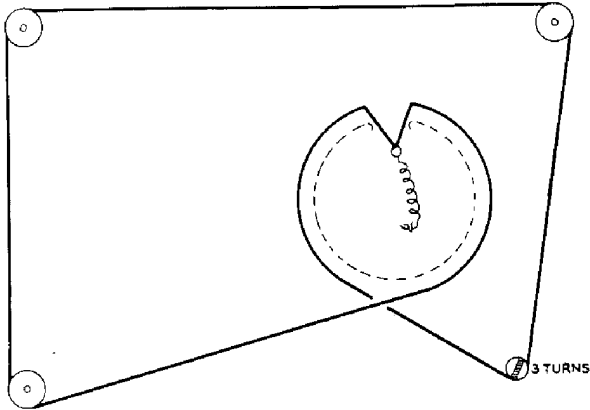




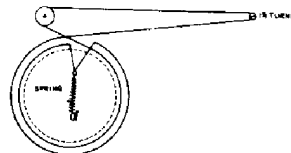
327



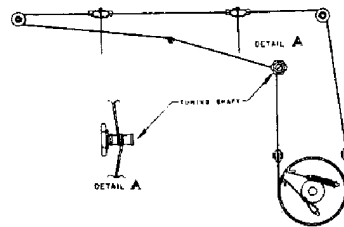
328



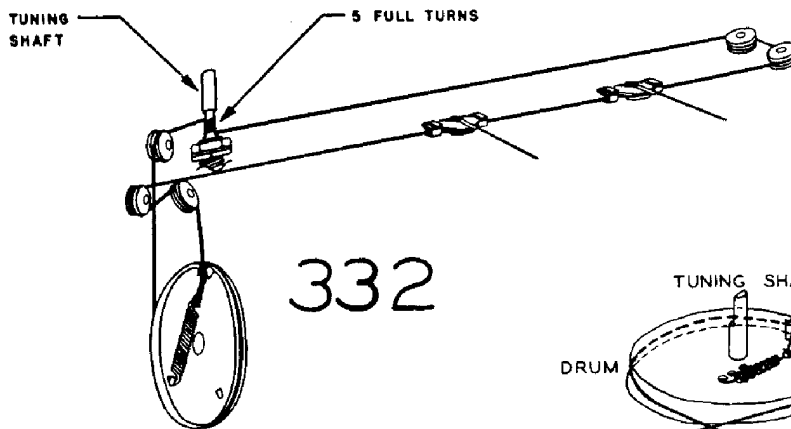
329



330

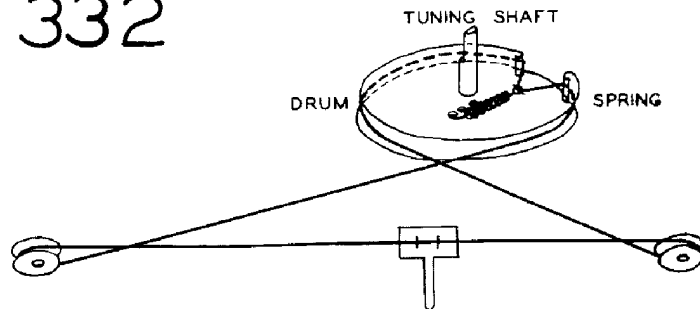


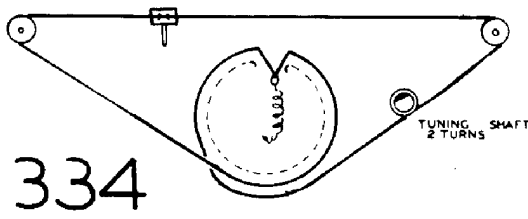
331



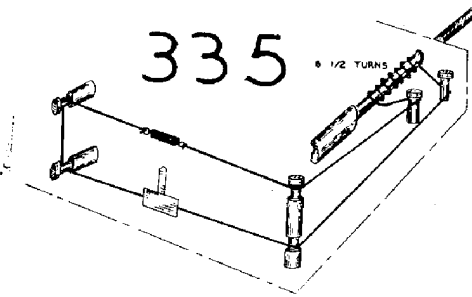
332

333

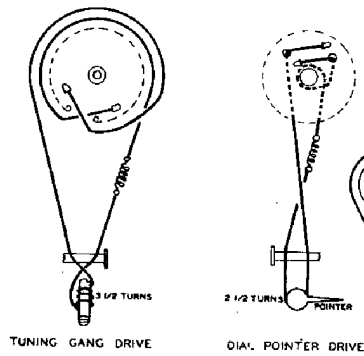




334



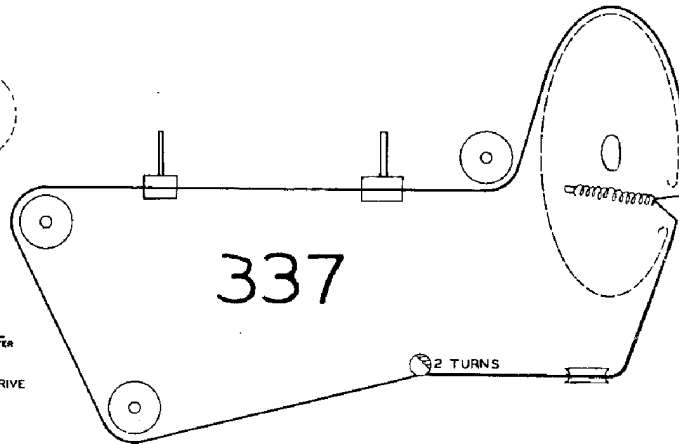
335



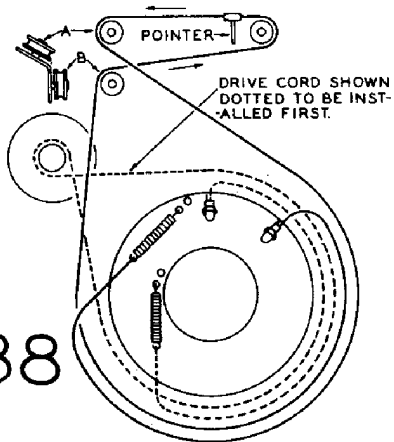
TUNING GANG DRIVE

DIAL POINTER DRIVE

336

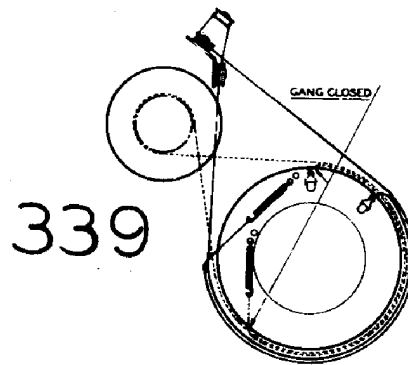


337

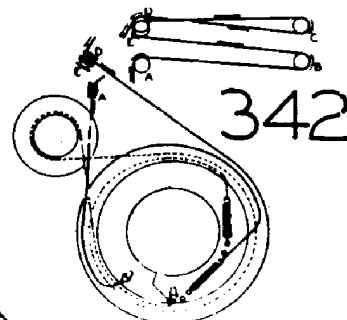


338

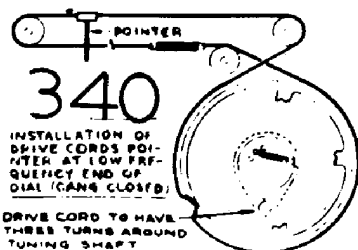
(POINTER AT LOW FREQUENCY END OF DIAL)  
TUNING CONDENSER MAXIMUM CAPACITY (FULLY CLOSED)



339



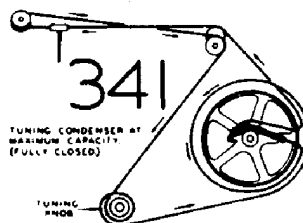
342



340

INSTALLATION OF DRIVE CORD'S POINTER AT LOW FREQUENCY END OF DIAL (GANG CLOSED)

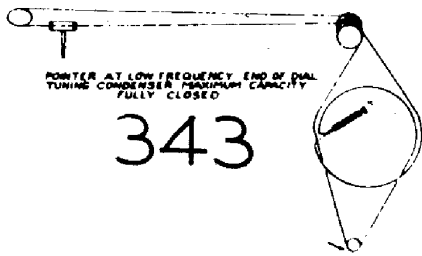
DRIVE CORD TO HAVE THREE TURNS AROUND TUNING SHAFT



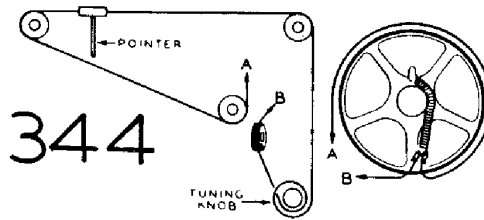
341

TUNING CONDENSER AT MAXIMUM CAPACITY (FULLY CLOSED)

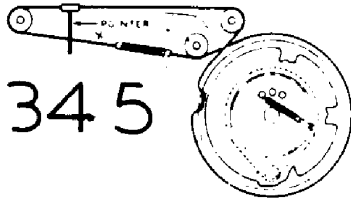
TUNING KNOB



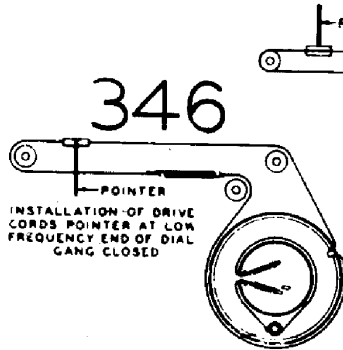
343



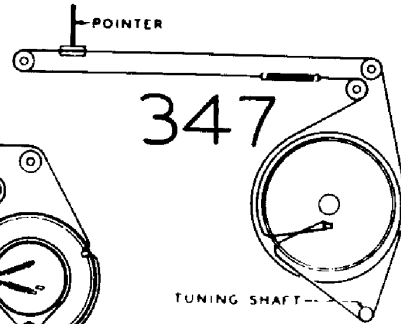
344



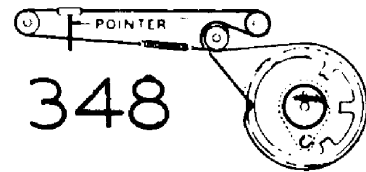
345



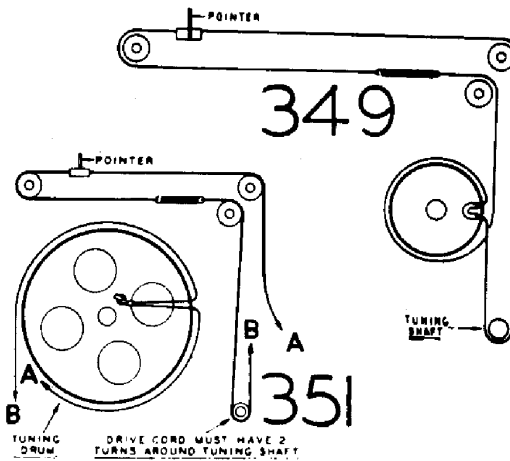
346



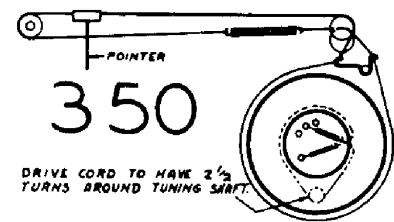
347



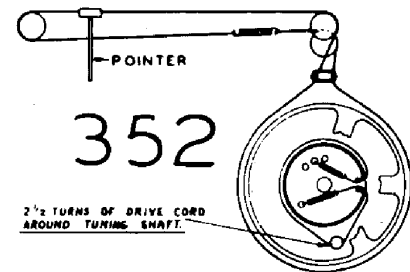
348



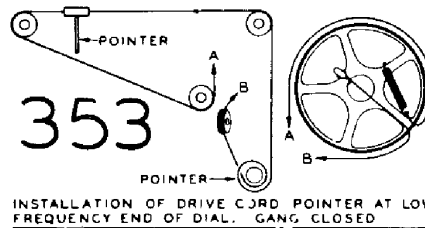
349



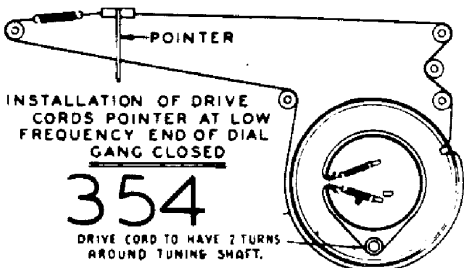
350



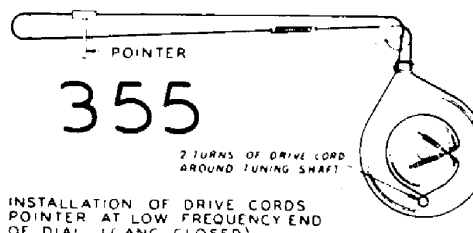
352



353



354



355