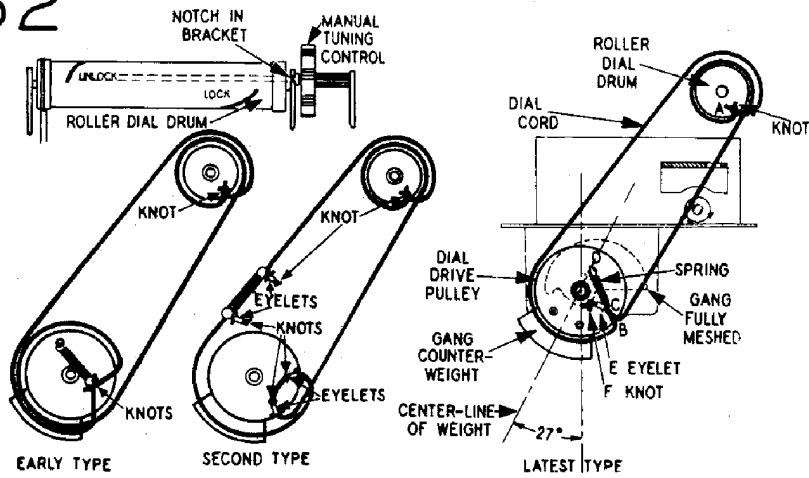
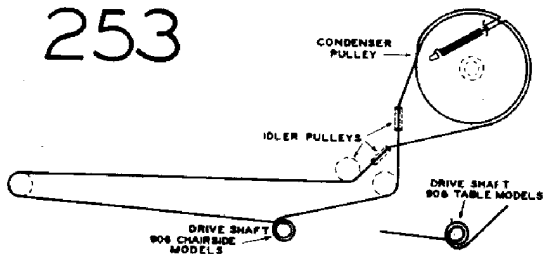


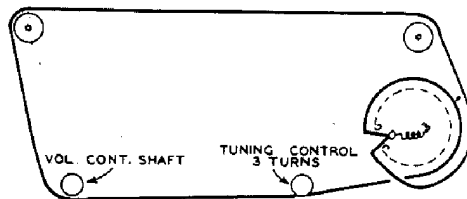
252



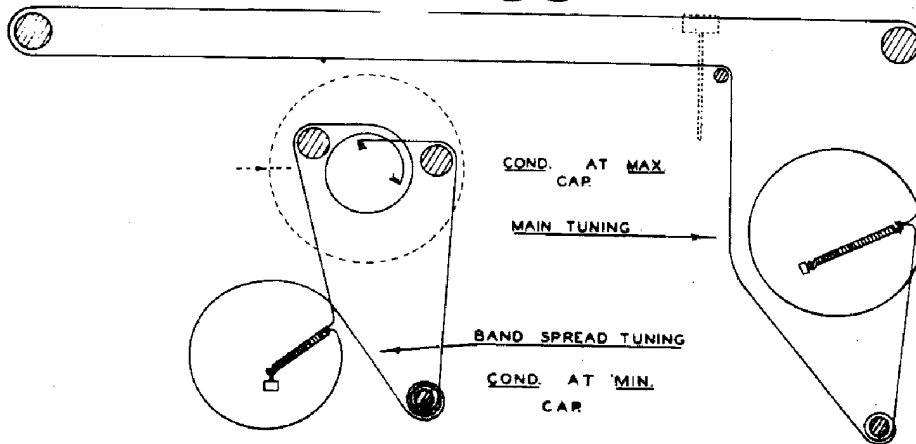
253



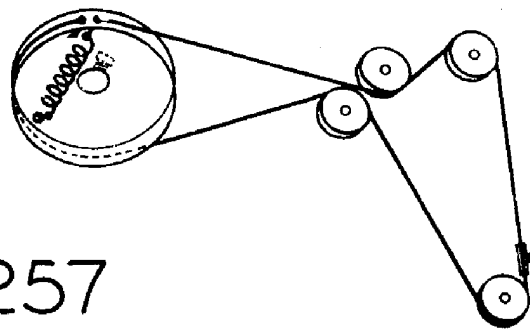
254



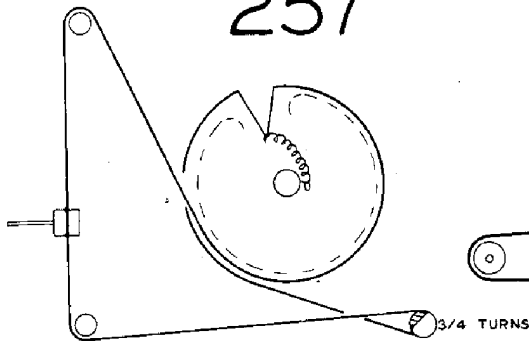
255



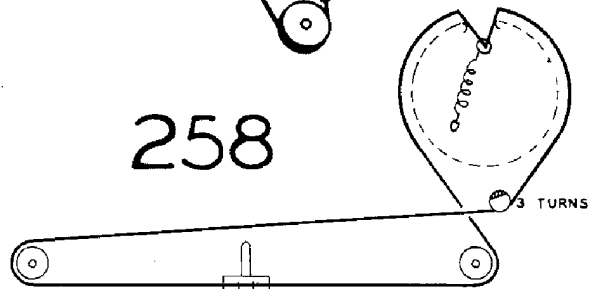
256



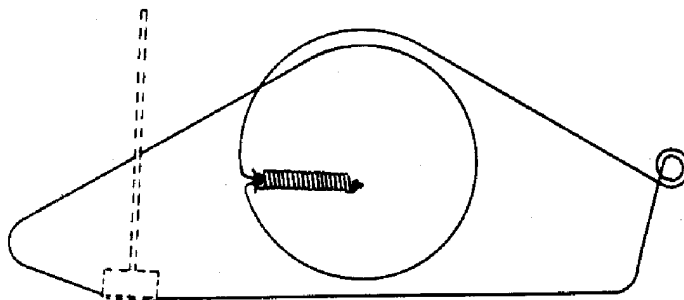
257



258

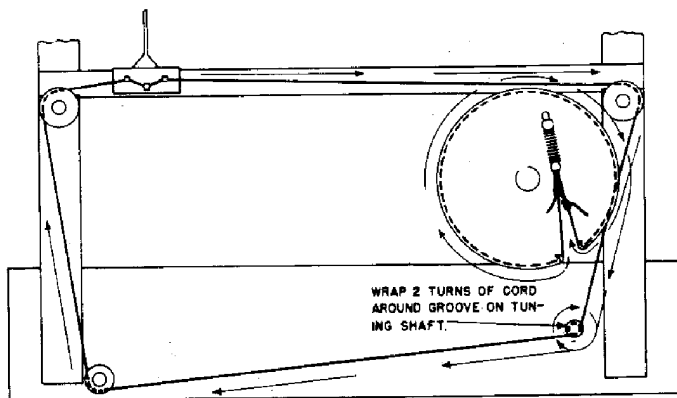


259

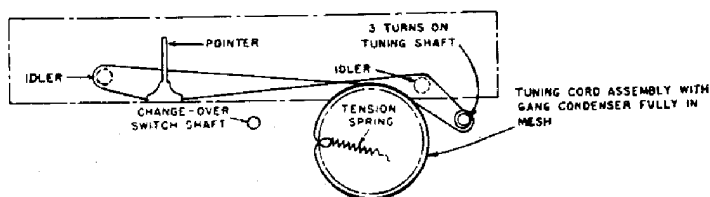


Condenser gang in maximum position.

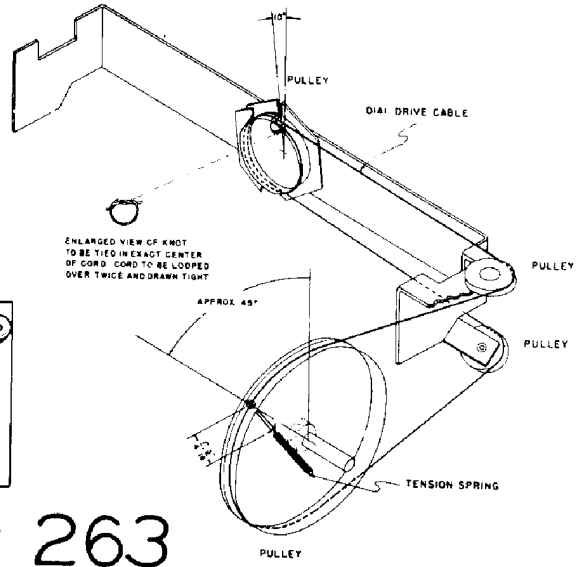
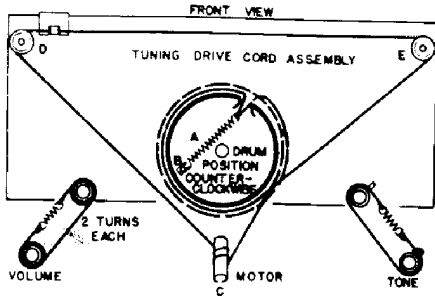
260



261

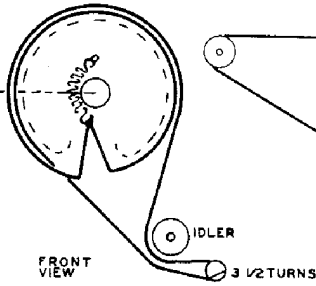
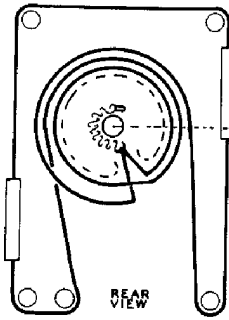


262

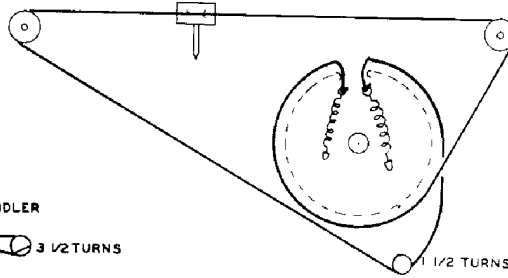


263

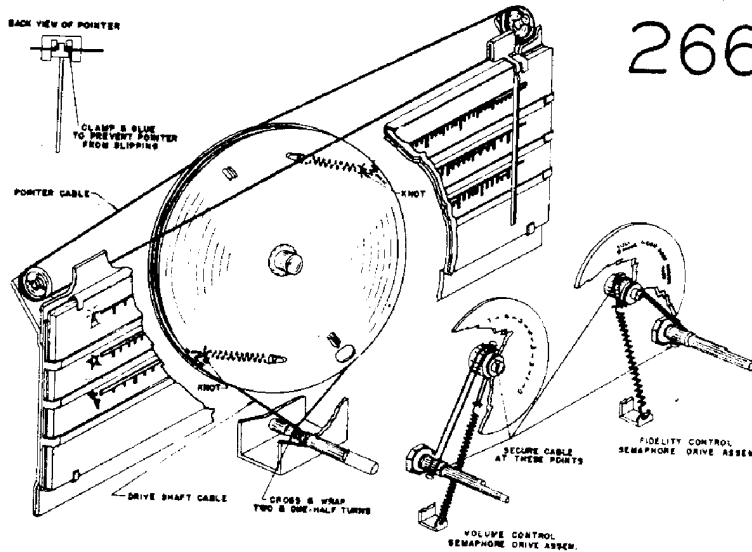
264



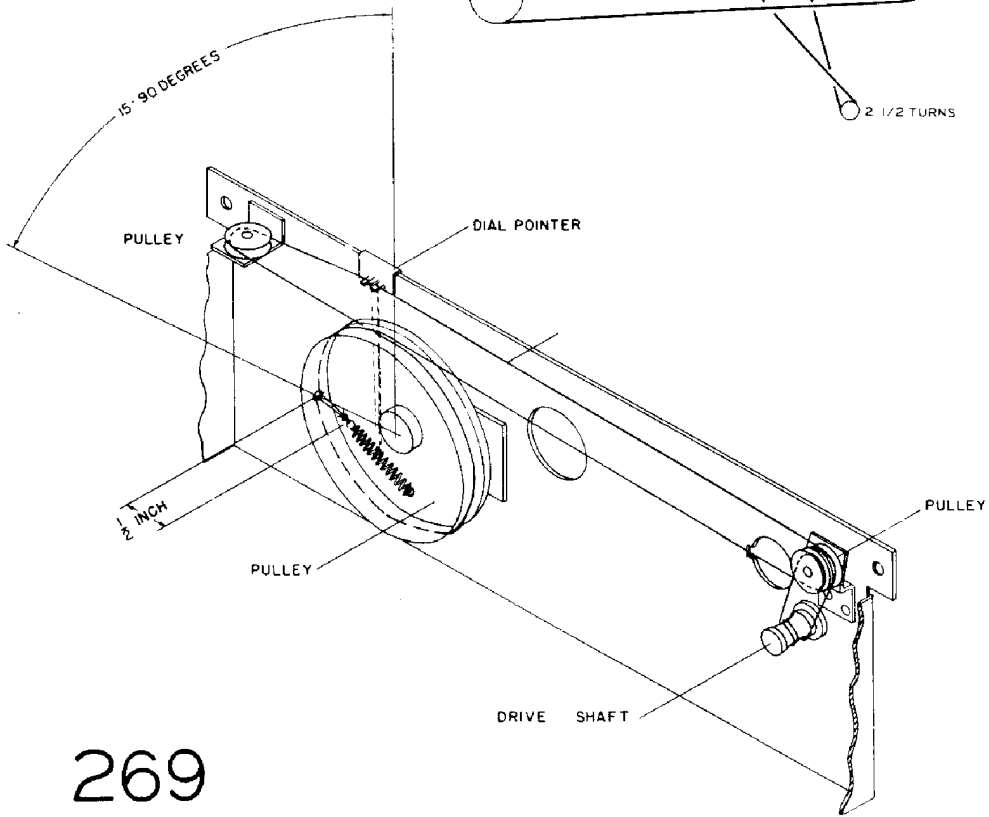
265



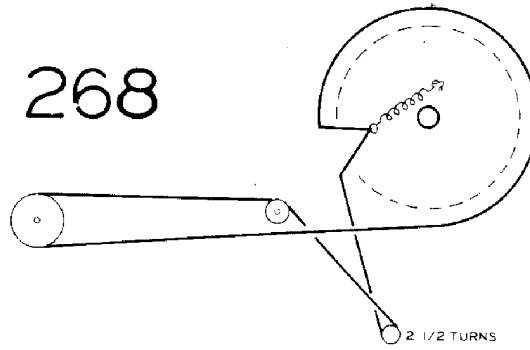
266



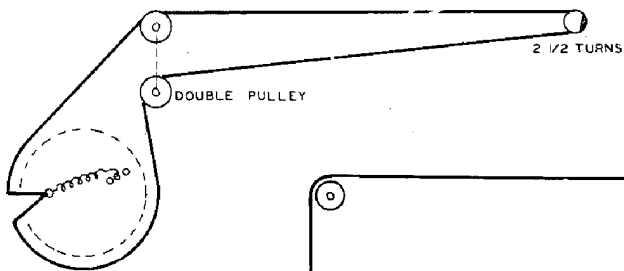
267



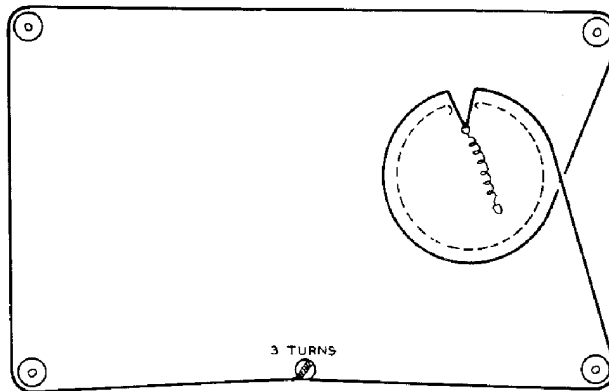
268

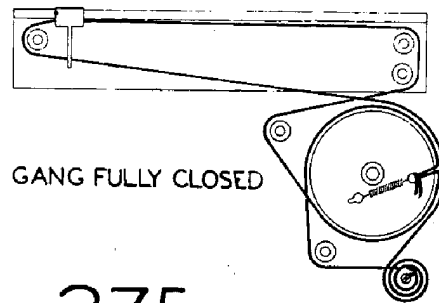
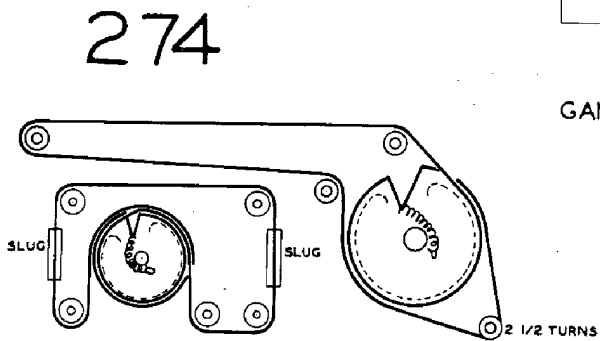
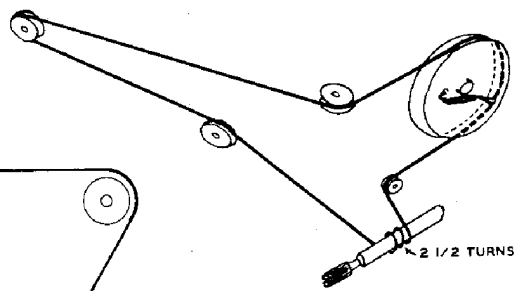
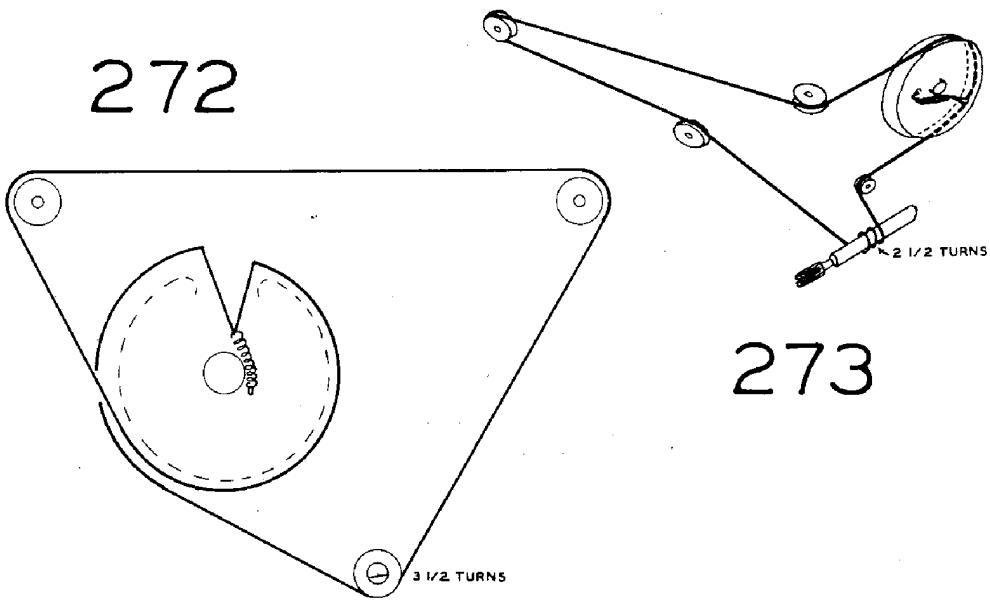
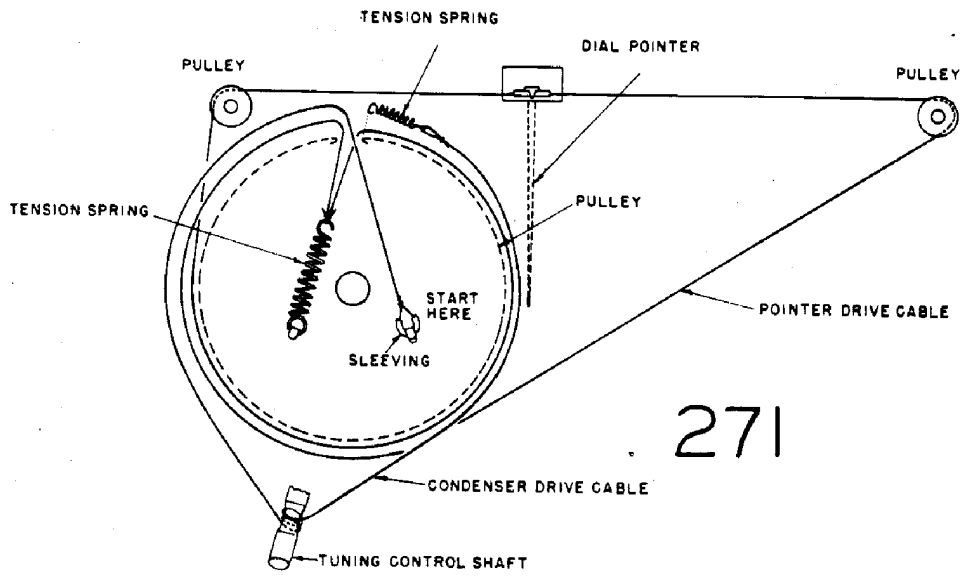


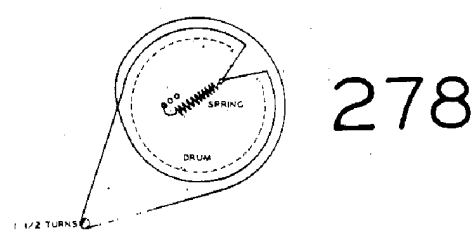
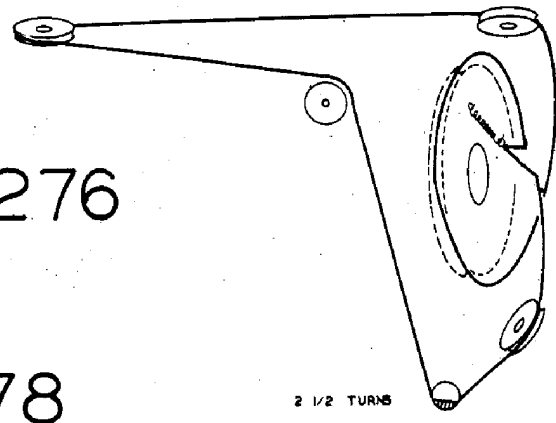
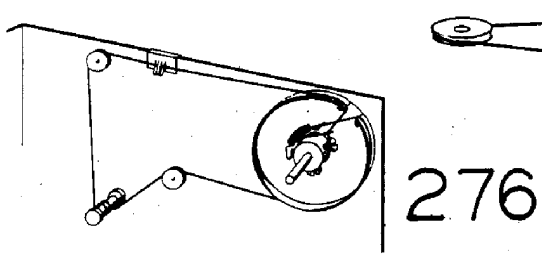
269



270

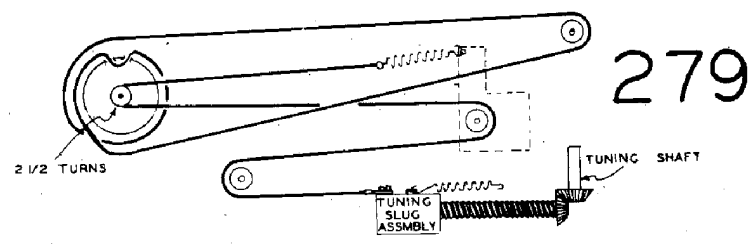






2 1/2 TURNS

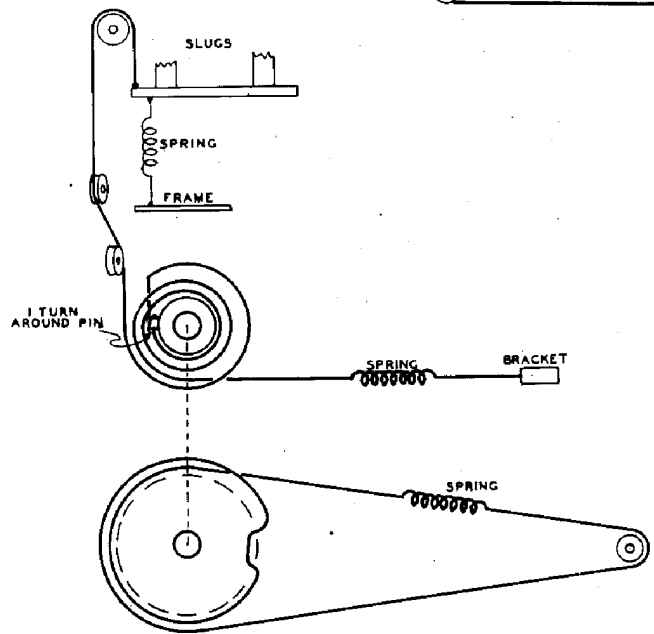
1 1/2 TURNS



2 1/2 TURNS

281

280

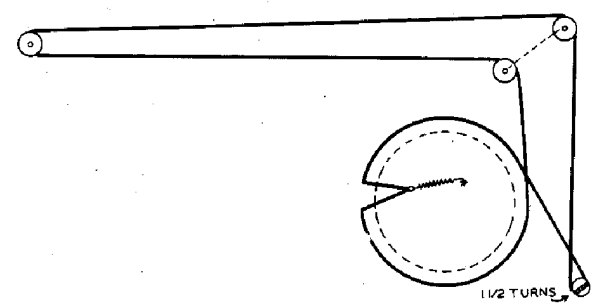


1 TURN AROUND PIN

SPRING

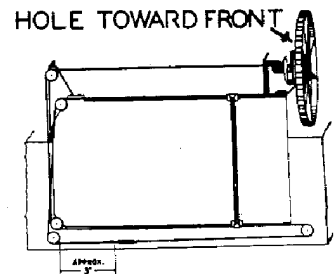
BRACKET

SPRING



1 1/2 TURNS

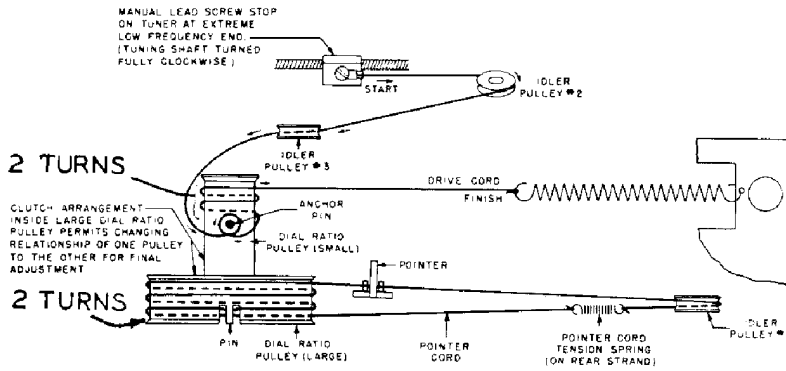
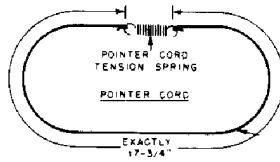
282



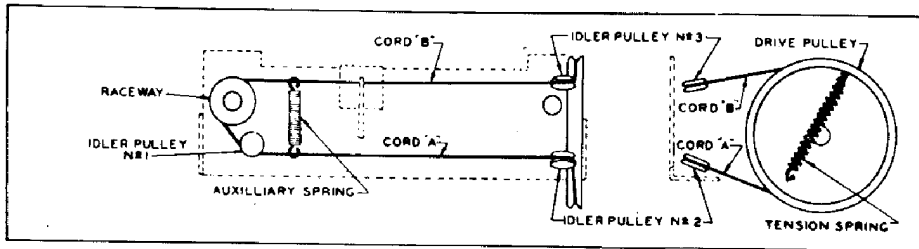
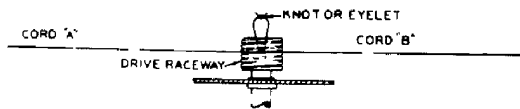
HOLE TOWARD FRONT

Approx.

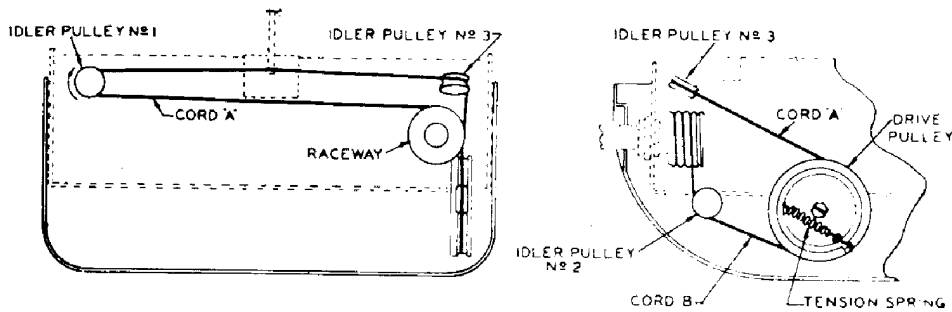
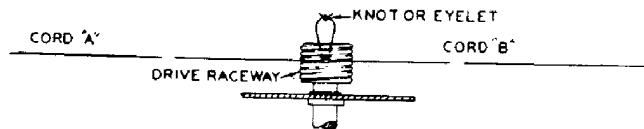
283



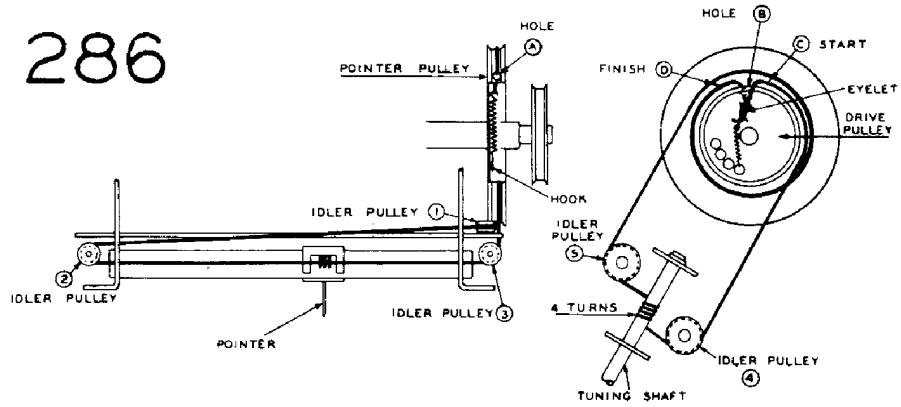
284



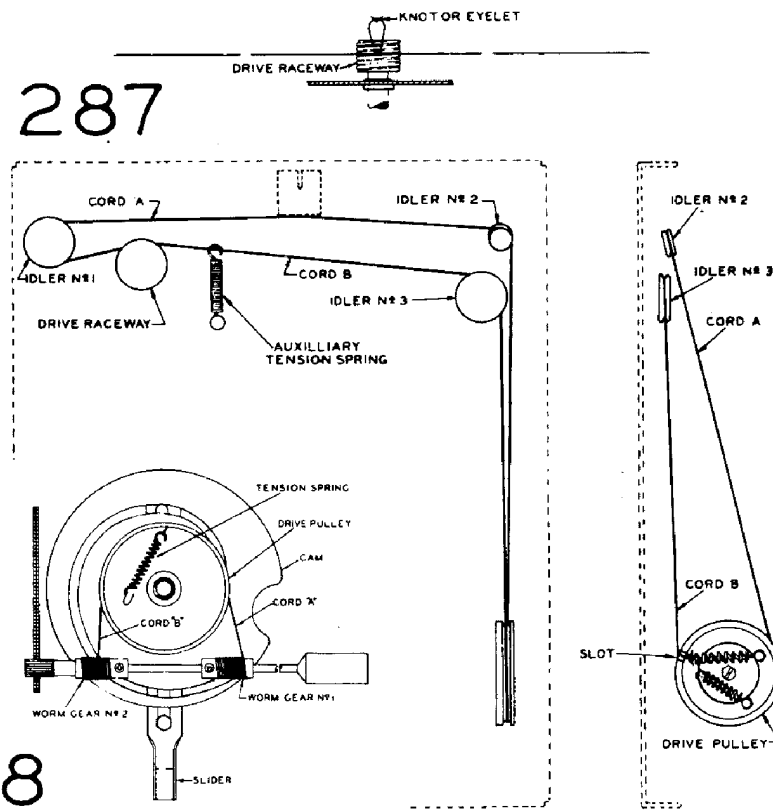
285



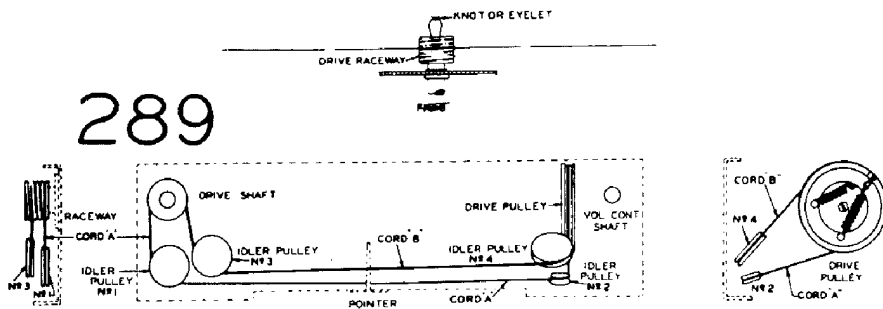
286



287

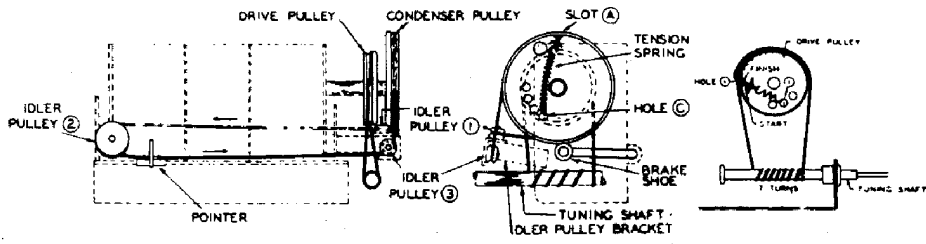


288

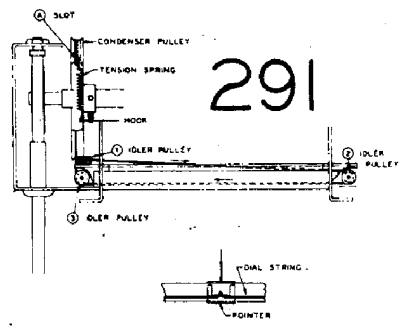


289

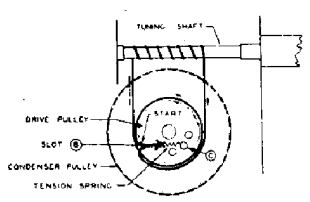




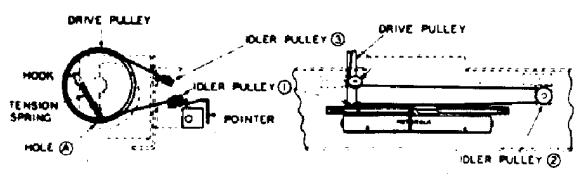
290



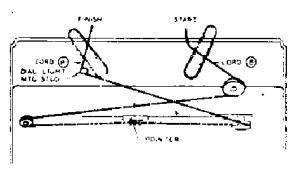
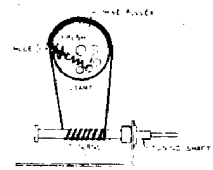
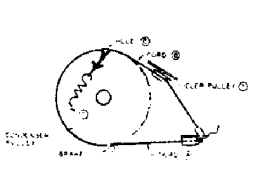
291



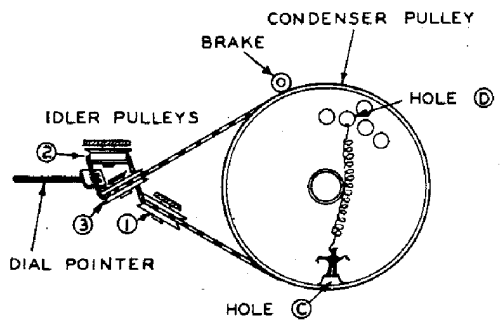
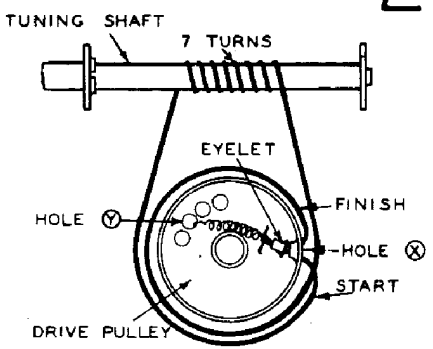
292

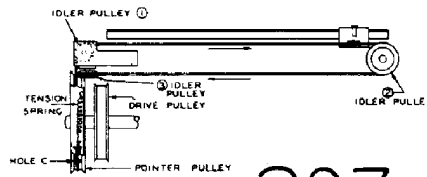
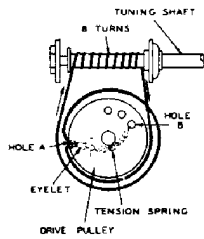
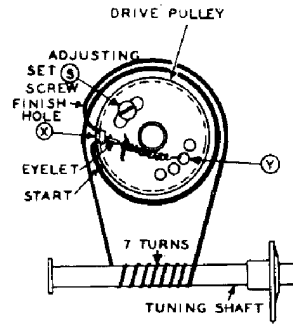
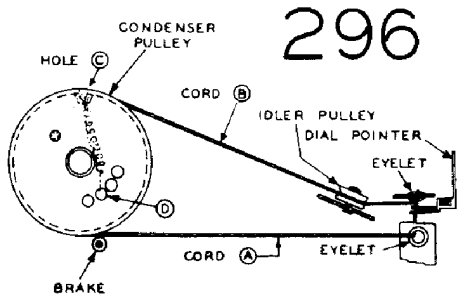
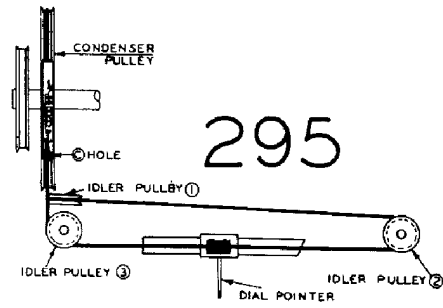
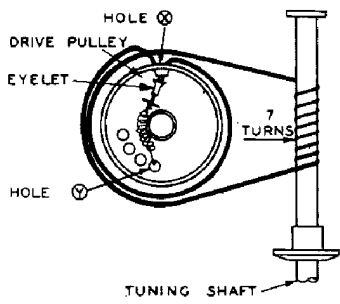


293

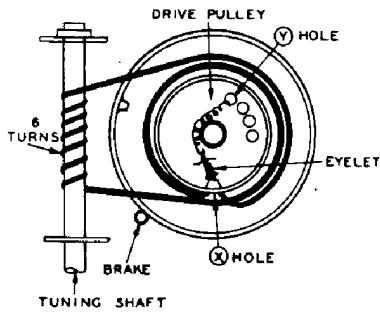


294

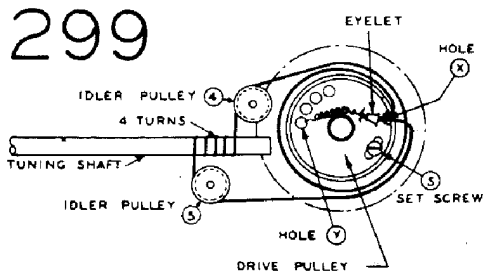
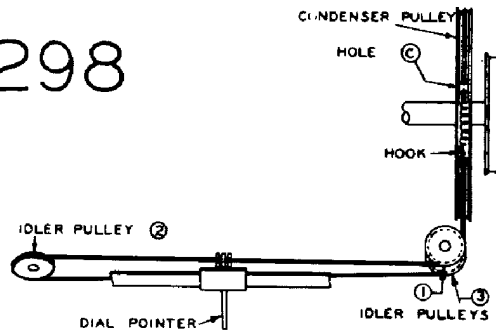




297



298



299

